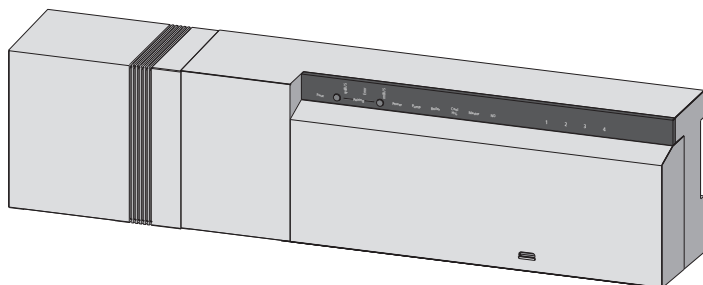
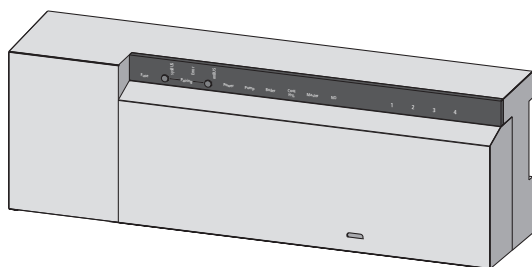


BSF 20x12-xx - 230 V
BSF 40x12-xx - 24 V



ENG

DAN

NOR

FIN

SWE

POL

RUS



1 Safety	3
1.1 Used signal words and notes	3
1.2 Intended use	3
1.3 General safety notes	3
1.4 Personnel-related preconditions	4
1.5 Limitations for the operation	4
1.6 Conformity	4
2 Versions	5
2.1 Scope of supply	5
2.2 Indications and operating elements	5
2.3 Connections	6
2.4 Technical data	7
3 Installation	8
3.1 Assembly	8
3.2 Electric connection	8
3.2.1 External change-over signal	9
3.2.3 Pump/boiler 24 V	9
3.2.2 Pump/boiler 230 V	9
3.2.4 Optional humidity sensor	9
3.2.5 Pilot function for change-over heating/cooling	10
3.2.6 External timer	10
3.2.8 Use of a safety temperature limiter	11
3.2.9 Connection of Ethernet variants	11
4 Commissioning	12
4.1 First commissioning	12
4.2 Connecting (pairing) / separating base stations	12
4.2 Connecting (pairing) / separating base stations (continued)	13
4.3 Allocation of a room control unit to a heating zone (pairing)	13
4.4 Performing the radio test	13
4.5 System configuration	14
4.5.1 System configuration with microSD card	14
4.5.2 Configuration with room control unit Wireless Display	14
4.6 Resetting the factory settings	16
5 Protection functions and emergency operation	17
5.1 Protection functions	17
5.1.1 Pump protection function	17
5.1.2 Valve protection function	17
5.1.3 Antifreeze protection function	17
5.1.4 Dew point monitoring	17
5.1.5 Safety temperature limiter	17
5.2 Emergency operation	17
6 Troubleshooting and cleaning	18
6.1 Error indication and elimination of errors	18
6.2 Fuse change	19
6.3 Cleaning	19
7 Decommissioning	20
7.1 Decommissioning	20
7.2 Disposal	20

ENG

DAN

NOR

FIN

SWE

POL

RUS

1 Safety

▶ 1.1 Used signal words and notes

The following symbols show you, that

- an action must be performed.
- ✓ a precondition must be met.



Warning

Electrical voltage! Danger to life!

The shown symbol warns against electrical voltage. Warning notes are highlighted with horizontal lines.

▶ 1.2 Intended use

The base stations Radio 24 V and 230 V of the type BSF x0xx02-xx serve

- ✓ for the arrangement of a single room regulation system (readjustment) with a maximum of 12 zones (depending on the type used) for heating and cooling systems,
- ✓ for the connection of a maximum of 18 actuators and 12 room control units (depending on the type used), a pump, a CO signalling unit, a humidity sensor with potential-free contact as well as an external timer,
- ✓ for a fixed installation.

Every other use is considered as **not intended**; the manufacturer cannot be held liable for this.

Modifications and conversions are expressly forbidden and lead to dangers the manufacturer cannot be held liable for.

▶ 1.3 General safety notes



Warning

Electrical voltage! Danger to life!

The base station is live.

- Always disconnect from the mains network and secure against unintended activation before opening it.
- Disconnect external voltages existing at the pump and the boiler contact and secure against unintended activation.

Emergency

- In case of emergency, disconnect the complete single room control system.



Retain this manual and provide it to future owners.

ENG

DAN

NOR

FIN

SWE

POL

RUS

▶ 1.4 Personnel-related preconditions

Authorised specialists

The electrical installations must be performed according to the current VDE regulations as well as according to the regulations of your local electric power utility company. These instructions require special knowledge corresponding to an officially acknowledged **degree** in one of the following professions:

✓ **Electrical Equipment Installer or Electronics Engineer**

✓

according to the profession designations officially announced in the Federal Republic of Germany, as well as according to comparable professions within the European Community Law.

▶ 1.5 Limitations for the operation

This unit is not intended to be used by people (including children) with restricted physical, sensory or mental skills or who lack experience or knowledge, except if they are supervised by a person responsible for their safety or have received instructions on how to use this unit.

Children must be monitored in order to ensure that they do not play with the device.

▶ 1.6 Conformity

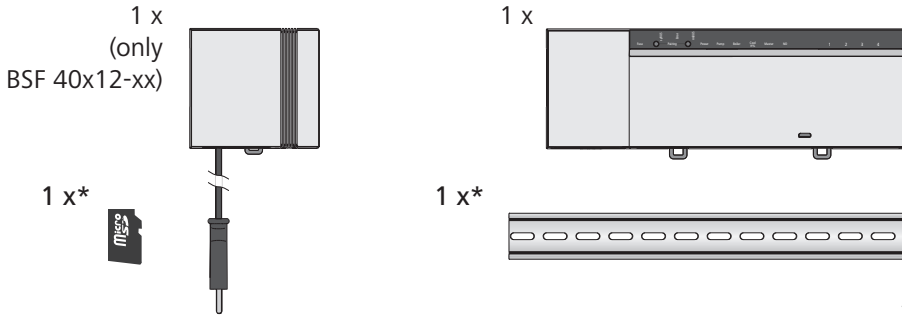
This product is labelled with the CE Marking and thus is in compliance with the requirements from the guidelines:

- ✓ 2004/108/EG with amendments "Council Directive on the approximation of the laws of the Member States relating to Electromagnetic Compatibility"
- ✓ 2006/95/EG with amendments "Council for Coordination of the Regulations of EU Member Countries regarding the electrical equipment for use within certain voltage limits"
- ✓ "Radio and Telecommunications Terminal Equipment Act (FTEG) and Guideline 1999/5/EG (R&TTE)"

Increased protection requirements may exist for the overall installation, the compliance of which is the responsibility of the installer.

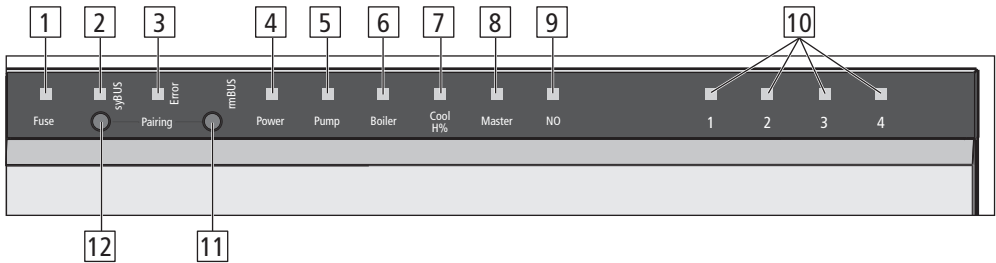
2 Versions

2.1 Scope of supply



* optional

2.2 Indications and operating elements



No.	Designation	LED	Function
1	Fuse	red	Lights up when fuse has blown
2	syBUS	yellow	Shows syBUS activity, flashes during writing access on microSD card
3	Error	red	Lighting up: Safety temperature limiter active
4	Power	green	Lighting up: Base station ready for operation.
5	Pump	green	Lighting up: Pump control active
6	Boiler	green	Lights up when boiler control is active if the boiler relay is used for boiler control.
7	Cool H%	blue	Lighting up: Cooling operation active. Flashing: Condensation detected.
8	Master	yellow	Lighting up: Base station is defined as master Flashing: Base station is defined as slave
9	NO	yellow	Lighting up: Installation is parameterised for NO actuators (normally open).
10	Heating zones 1 - x	green	Shows the respective activity of the heating/cooling zones.
11	rmBUS pushbutton	-	Push-button for the rmBUS functionality
12	syBUS pushbutton	-	Push-button for the syBUS functionality

ENG

DAN

NOR

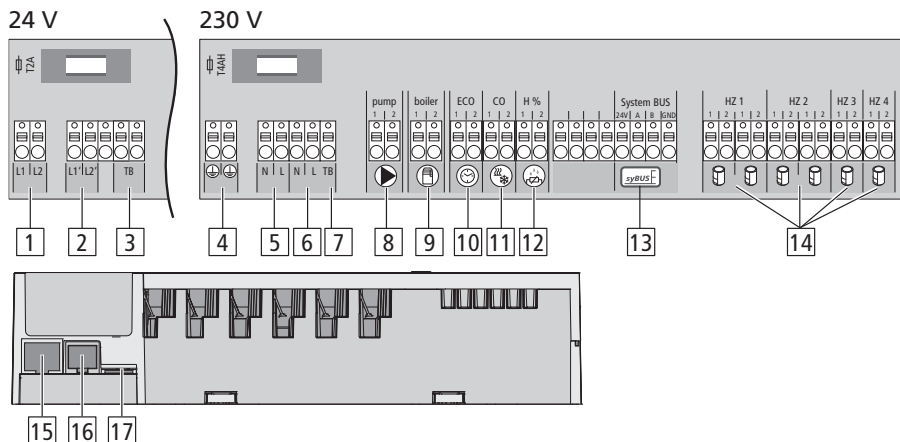
FIN

SWE

POL

RUS

2.3 Connections



No.	Connections	Function
1	Mains transformer	Only 24 V version: Connection for system transformer
2	Output 24 V	Only 24 V version: Output for the supply of e. g. a safety temperature limiter (to be provided by the customer)
3/7	Temperature limiter	Connections for temperature limiter for the protection of sensitive surfaces, to be provided by the customer (optional)
4	Protective conductor 1 and 2	Only 230 V version: Protective conductor connections
5	Mains connection N/L	Only 230 V version: Connection for mains supply
6	Output 230 V	Only 230 V version: Optional assignment for a direct energy supply of the pump
8	Pump	Pump activation connection
9	Boiler	Boiler control connection, or output for CO pilot function
10	ECO	Potential-free input for the connection of an external timer
11	Change over	Potential-free input (according to SELV) for an external change-over signal
12	Dew point sensor	Potential-free input (according to SELV) for dew point sensor
13	syBUS	Connects several base stations in order to exchange global system parameters
14	Actuators	6 to 18 connections for thermal actuators
15	RJ45 connection (optional)	Ethernet interface for the Integration of the base station into the home network
16	RJ12 connection	Connection for active antenna
17	microSD card slot	Allows the introduction of firmware updates and individual system settings.

2.4 Technical data

	BSF 20102-04	BSF 20202-04	BSF 20102-08	BSF 20202-08	BSF 20102-12	BSF 20202-12	BSF 40112-04	BSF 40212-04	BSF 40112-08	BSF 40212-08	BSF 40112-12	BSF 40212-12
Ethernet	-	x	-	x	-	x	-	x	-	x	-	x
Number of heating zones	4	8	8	12	12	4	4	8	8	12	12	12
Number of actuators	2x2 + 2x1	4x2 + 4x1	4x2 + 6x1	6x2 + 6x1	6x2 + 6x1	2x2 + 2x1	2x2 + 2x1	4x2 + 4x1	4x2 + 4x1	6x2 + 6x1	6x2 + 6x1	6x2 + 6x1
Max. nominal load of all actuators	24 W											
Switching power per heating zone	max. 1 A											
Operating voltage	230 V / ±15% / 50 Hz						24 V / ±20% / 50 Hz					
Mains connection	NYM connection terminals 3 x 1.5 mm ²						System transformer with mains plug					
Power consumption (without pump)	50 W (limited by the system transformer)											
Power consumption in idle operation/ with transformer	1.5 W / -	2.4 W / -	1.5 W / -	2.4 W / -	1.5 W / -	2.4 W / -	0.3 W / 0.6 W	1.1 W / 1.4 W	0.3 W / 0.6 W	1.1 W / 1.4 W	0.3 W / 0.6 W	1.1 W / 1.4 W
Protection class	II											
Protection degree/ overvoltage category	IP20 / III											
Fuse	5 x 20 mm, T4AH											
Environment temperature	0 °C – 60 °C											
Storage temperature	-25 °C to +70 °C											
Humidity	5 to 80%, not condensing											
Dimensions	225 x 52 x 75 mm	290 x 52 x 75 mm	355x52 x 75 mm	305 x 52 x 75 mm	305 x 52 x 75 mm	370 x 52 x 75 mm	370 x 52 x 75 mm	435 x 52 x 75 mm	435 x 52 x 75 mm	435 x 52 x 75 mm	435 x 52 x 75 mm	435 x 52 x 75 mm
Material	PC+ABS											
Controlling precision of the target value:	±1 K											
Hunting	±0.2 K											
Modulation	FSK											
Carrier frequency	868 MHz, bidirectional											
Coverage	25 m in buildings / 250 m in open air											
Radiated power	max. 10 mW											

ENG

DAN

NOR

FIN

SWE

POL

RUS

3 Installation

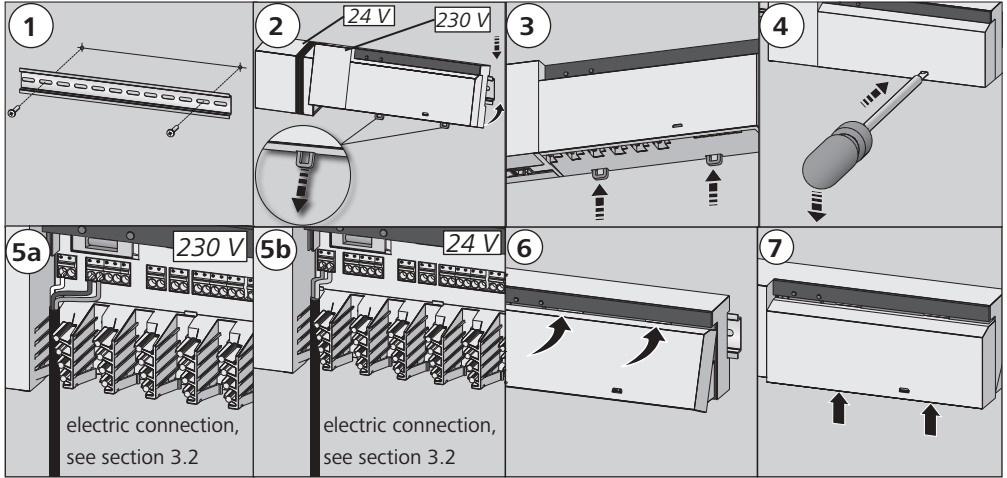
▶ 3.1 Assembly



Warning

Electrical voltage! Danger to life!

All installation work must be performed under the absence of voltage.



ENG
DAN
NOR
FIN
SWE
POL
RUS

▶ 3.2 Electric connection



Warning

Electrical voltage! Danger to life!

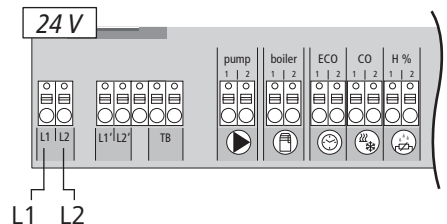
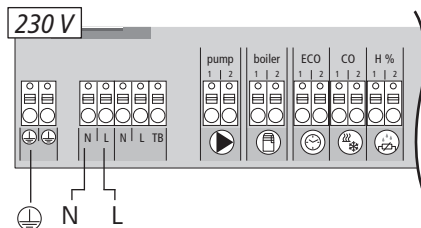
All installation work must be performed under the absence of voltage.

The wiring of a single room control system depends on several factors and must be planned and carried through carefully by the installer.

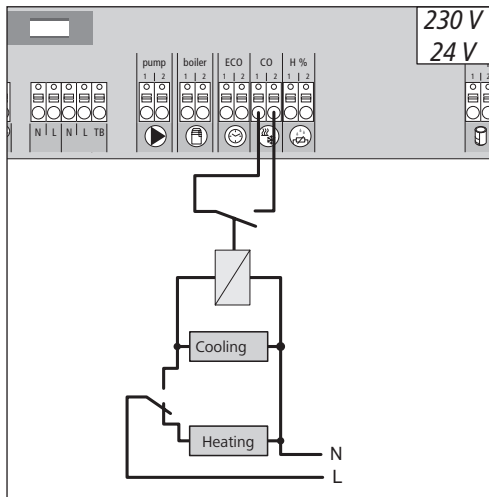
The following cross-sections are applicable for the plug-in/clamping connections:

- ✓ solid wire: 0.5 – 1.5 mm²
- ✓ flexible wire: 1.0 – 1.5 mm²
- ✓ 8 - 9 mm insulation stripped off the wire
- ✓ The wires of the actuators can be used with factory-mounted end sleeves.
- ✓

Note: For the 230 V variant, voltage can be supplied via one of the two N and L terminal pairs.

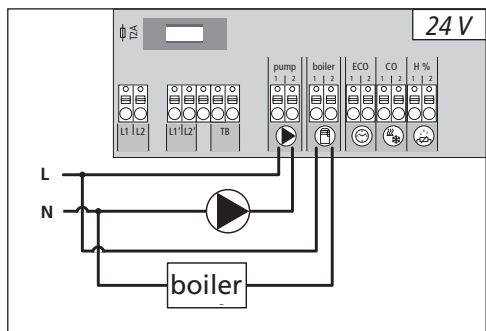


▶ 3.2.1 External change-over signal



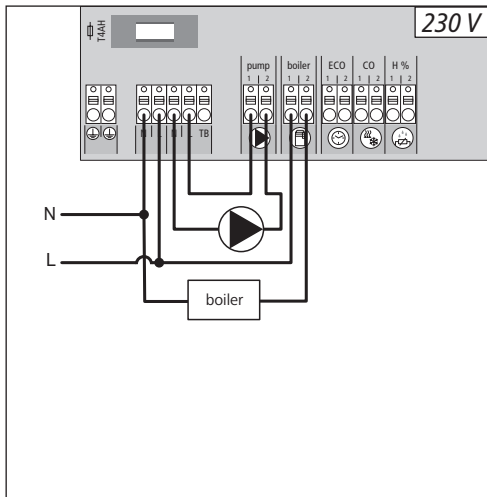
If an external change-over signal is used, the overall installation switches accordingly between heating and cooling.

▶ 3.2.3 Pump/boiler 24 V



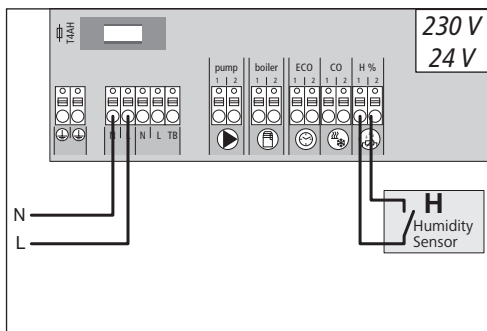
The boiler connection allows the control of a heat generator. Additionally, a pump can be supplied and controlled directly.

▶ 3.2.2 Pump/boiler 230 V



The boiler connection allows the control of a heat generator. Additionally, a pump can be controlled directly.

▶ 3.2.4 Optional humidity sensor



Humidity sensors (to be provided by the customer) serve for dewing protection in the cooling mode.

ENG

DAN

NOR

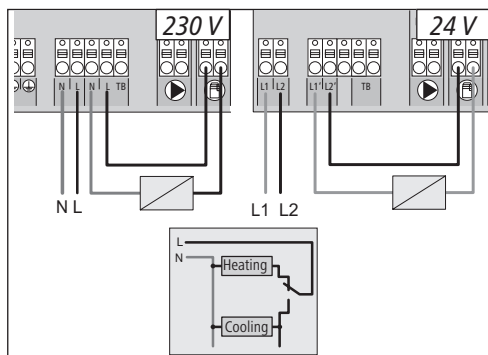
FIN

SWE

POL

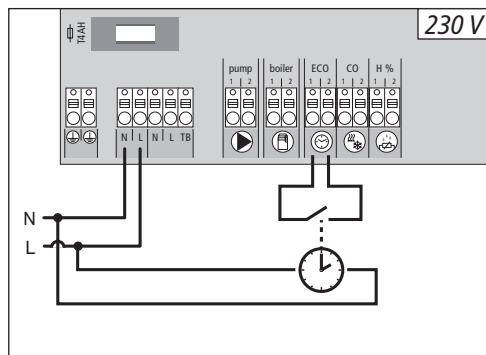
RUS

▶ 3.2.5 Pilot function for change-over heating/cooling



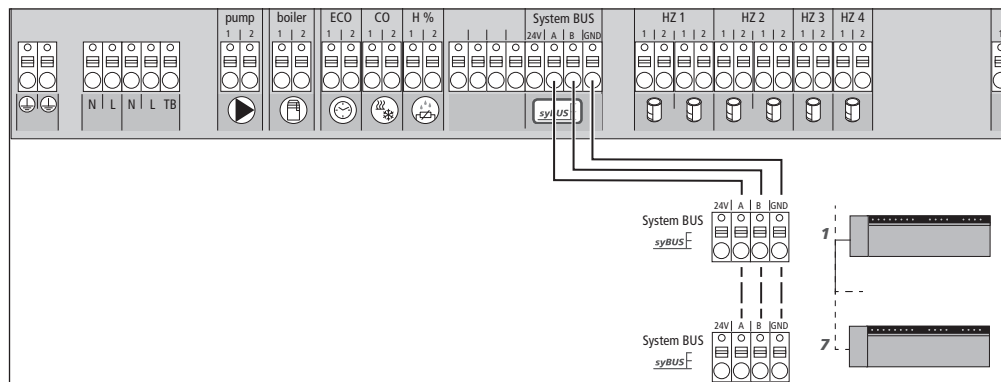
If no external change-over signal is available, the internal pilot function of the base station can be used for switching the overall installation between the operating modes Heating and Cooling. A relay used by the base station for switching over is used for this.

▶ 3.2.6 External timer



The base station is equipped with an ECO input for connecting an external timer, if the internal clock of the room control unit Radio Display shall not be used. When the input is activated by the timer, the heating zones are switched to night operation.

▶ 3.2.7 System BUS



A maximum of seven base stations can be interconnected via the system BUS (syBUS) in order to exchange global system parameters. After completing the wiring, the base stations must be paired – see section 4.2 For a line diameter <6 mm, a strain relief must be provided by the customer.

Note! The base stations can also be connected via radio, see section 4.2. A mix of both variants is possible.

ENG

DAN

NOR

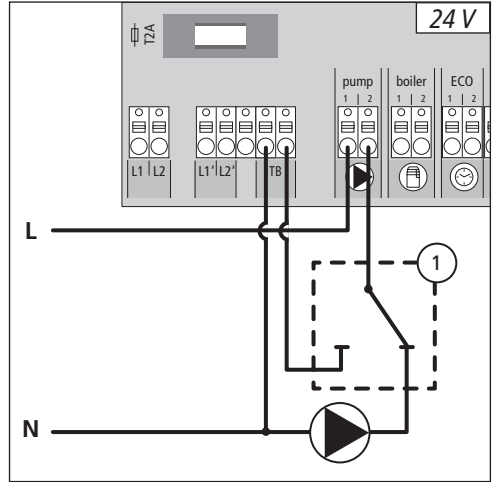
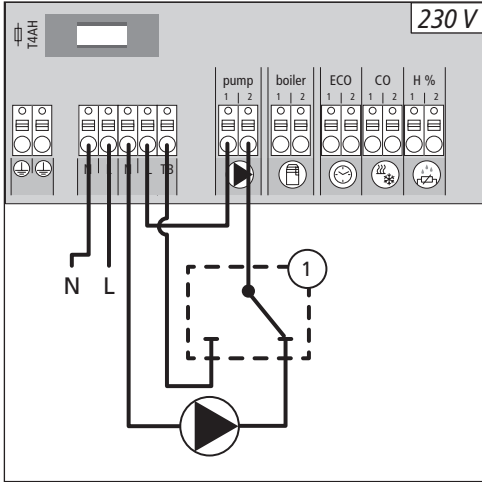
FIN

SWE

POL

RUS

▶ 3.2.8 Use of a safety temperature limiter



Connection of a customer-supplied safety temperature limiter (1). This device switches off the pump and sets the input to TL if too high flow temperatures for the floor heating are detected. If the TL input is switched, the base station shuts down all actuators automatically.

▶ 3.2.9 Connection of Ethernet variants

The base stations BSF xx2xx-xx are equipped with a RJ45 interface and an integrated web server for the control and the configuration of the system via PC/laptop and over the Internet.

- Integration of the base station into the network via network cable, or direct connection to PV/laptop

Set-up in the home network

- Open the router menu (see manual of the respective device) via the address bar in the web browser (Internet Explorer, Firefox, ...).
- Open an overview of all devices in the network.
- Compare to the MAC address (see type sign) in order to find out the IP address allocated to the base station.
- Note the IP address of the base station and enter it into the address bar of the web browser in order to open the web interface.

Direct connection to PC/laptop:

- Open the network settings in the PC/laptop and assign the IP address 192.168.100.1 as well as the subnet mask 255.255.0.0 manually to the PC.
- Access to the web interface can be gained by entering the IP address 192.168.100.100 in the address bar of your web browser.

You can find further information on the set-up as well on worldwide access via the Internet under www.ezr-home.de.

ENG

DAN

NOR

FIN

SWE

POL

RUS

4 Commissioning

▶ 4.1 First commissioning

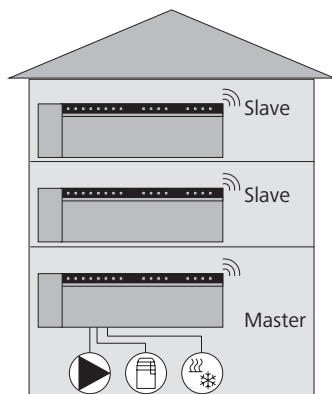
The base station is in installation mode during the first 30 minutes after switching on the mains voltage. The target and actual temperatures are compared in this mode, all other functions are deactivated. If the actual temperature is below the target temperature, the output allocated to the respective room control unit is activated at the base station. This allows signalling at the base station without delay, enabling the control of the allocation between the room control unit and the output of the base station.

- Switch on the mains voltage.
- ✓ The base station initialises the installation mode for 30 minutes.
- ✓ If the base station is parameterised for NC actuators, all heating zones are activated for 10 minutes in order to unlock the first-open function of the NC actuators.
- ✓ The power LED (operation display) lights up continuously.

▶ 4.2 Connecting (pairing) / separating base stations

If several base stations are used in one heating system, a maximum of seven units can be coupled (paired) for the exchange of global system parameters via radio or system bus (syBUS). The radio range of the base station must be observed for the radio connection. If the radio range is insufficient, pairing must be performed with the syBUS. Communication is done according to the master/slave principle. Requirements and status messages are exchanged between the units. The master unit centrally controls the directly connected functions/components:

- CO input/output
(if the pilot function is activated)
- Boiler output
- Pump output



Note: The base station the components are connected to must be configured as master. Further base stations can only be paired with the master.

The pairing of base stations is done as follows:

- Press the syBUS button of the base station to be configured as master for three seconds in order to start the pairing mode.
- ✓ The LED "syBUS" flashes.
- ✓ For three minutes, the pairing mode is ready to receive the pairing signal of another room control unit.
- Press the syBUS button of the base station to be configured as slave two times consecutively for one second, in order pair it with the master.
- ✓ The pairing mode ends automatically after the process has finished.
- ✓ The LED "Master" **lights** up permanently at the master base station.
- ✓ The LED "Master" **flashes** if the base station has been configured as slave.
- Repeat the process for pairing another base station.

▶ 4.2 Connecting (pairing) / separating base stations (continued)

The separation of paired base stations can be performed as follows:

- Press the syBUS button of the base station to be separated for three seconds in order to start the pairing mode.
- ✓ The LED "syBUS" flashes.
- Press the syBUS pushbutton again for a duration of 10 seconds.
- ✓ The base station restarts and the LED "Master" goes out.

▶ 4.3 Allocation of a room control unit to a heating zone (pairing)

- Press the rmBUS button of the base station for three seconds in order to start the pairing mode.
- ✓ The LED "Heating zone1" flashes.
- Select the desired heating zone by pressing shortly again.
- ✓ For three minutes, the selected heating zone is ready to receive the pairing signal of a room control unit.
- Activate the pairing function at the room control unit (see Room Control Unit Manual).
- ✓ The pairing mode is left after establishing a successful allocation.
- ✓ The LED of the heating zone previously selected will light up for 1 minute.
- Repeat the process for allocating more room control units.

Tip One Room Control Unit can be allocated to various heating zones.
The allocation of several room control units to one zone is impossible.

▶ 4.4 Performing the radio test

The radio test allows to verify the communication between the base station and the room control unit. The radio test must always be carried through at the planned installation location of the room control unit.

- ✓ The base station must not be in pairing mode for this.
- Start the radio test at the room control unit (see Room Control Unit Manual).
- ✓ The heating zone allocated to the room control unit is activated for one minute, thus it is switched off or on depending on the status of operation.
- ✓ If there is no activation, the reception conditions are unfavourable. Proceed as follows:
 - Taking into account the installation conditions of the room control unit, change the installation position until you have a reception signal, or
 - Use the optional accessories "Active antenna" or "Repeater" in order to amplify the radio signal. You can find information on the installation in the respective manual.

ENG

DAN

NOR

FIN

SWE

POL

RUS

▶ 4.5 System configuration

The configuration of the base station is done optionally via the microSD, the software interface of the Ethernet variant or the Service level of the room control unit Bus Display.

▶ 4.5.1 System configuration with microSD card

Individual settings can be made via the EZR Manager SD Card under www.ezr-home.de and transferred to the base station via the microSD card. As of software version 01.70, the base station accepts microSD cards >2 GB in the formats FAT16 or FAT32.

- Open www.ezr-home.de in the web browser of your PC, select EZR Manager SD Card and follow the instructions on-line.
- Insert the microSD card with the updated data into the base station.
- ✓ The transfer process will start automatically and copy the updated data into the base station.
- ✓ The LED "syBUS" flashes during the transfer process.
- ✓ After a successful data transmission, the LED "syBUS" goes out.

ENG

▶ 4.5.2 Configuration with room control unit Wireless Display

DAN

The **Service level** of the base station Wireless Display is protected with a PIN code and may only be used by authorized specialists.

NOR

Attention! Faulty configuration leads to errors and damage to installations.

FIN

- Press the rotary control.
- Select the menu "Service Level" and activate by pressing.
- Enter the 4-digit PIN (standard: 1234) by rotating and pressing.
- Select parameters (PAR) by pressing again and enter the number code of the desired parameter (see following table).
- Change parameters as required and confirm by pressing.

SWE

POL

RUS

No.	Parameters	Description	Unit
010	Used heating system	Adjustable per heating zone: Floor heating (FBH) standard / FBH low energy / radiator / convector passive / convector active	FBH St.=0 FBH NE=1 RAD=2 KON pas.=3 KON act.=4
020	Heating/cooling block	Blocking the switching outputs depending on the activated operating mode (heating/cooling)	normal=0 Heating block=1 Cooling block=2
030	Operation lock (child safety lock)	Unlocking the operating lock with password protection	Deactivated=0 Activated=1
031	Operating lock password	Determine PIN if parameter 30 is set to active	0000..9999

▶ 4.5.2 Configuration with room control unit Wireless Display (continued)

No.	Parameters	Description	Unit
040	External sensor connected to the RBG	Logging on an additional sensor for the registration of the floor temperature (FBH), the room temperature or the dew point	no sensor=0 Dew point sen.=1 Temp FBH=2 Temp room=3
060	Correction of actual value registration	Registration of the actual temperature with a correction factor	-2.0...+2.0 K in 0.1 increments
110	Control direction switching outputs	Switchover of NC and NO actuators (only globally)	NC=0 / NO=1
115	Use as setback input	Change-over between use of the ECO input for setback or holiday function of the room control unit. The holiday function cannot be activated any longer via the room control unit if this parameter has been set to 1.	ECO=0 Holiday=1
120	Unit of temperature display	Toggle function of the display between degree Celsius and degree Fahrenheit	°C=0 °F=1
Pump configuration			
130	Pump output	Use the control of a local recirculation pump (in the heating circuit distributor) or a global recirculation pump (heating installation).	local=0 global=1
131	Pump type	Selection of the used pump: Conventional Pump (KP) / High efficiency Pump (HP)	CP=0 HP=1
132	Pump line-up time	Time elapsing from the moment of the command from a switching output until the pump is actually switched on.	[min]
133	Pump follow-up time	Time elapsing from the moment of switching off the switching outputs until the pump is actually switched off.	[min]
134	Control direction switching output	The control direction can be inverted if the pump relay is used as control output	normal=0 inverted=1
135	Minimum running time	The minimum running time indicates how long the HP must run until it may be switched off again.	[min]
136	Minimum standstill time	High efficiency pump: The pump may only be switched off if a minimum standstill time can be ensured.	[min]
Configuration of change-over functionality / boiler relay			
140	Function of relay boiler / CO output	Selection whether the switching output shall serve for controlling a pump relay, or as CO pilot	Boiler=0 CO pilot=1
141	Line-up time	Boiler relay line-up time for conventional pump	[min]
142	Follow-up time	Boiler relay follow-up time for conventional pump	[min]
143	Control direction switching outputs	The relay function can be inverted if used as a control output.	normal=0 inverted=1
160	Antifreeze protection	Activation of control outputs for $T_{\text{actual}} < x \text{ } ^\circ\text{C}$	Deactivated=0 Activated=1
161	Antifreeze temperature	Antifreeze function limit value	[°C]
170	Smart Start	Learning-in of the temperature behaviour of the individual heating zones	Deactivated=0 Activated=1

ENG

DAN

NOR

FIN

SWE

POL

RUS

► 4.5.2 Configuration with room control unit Wireless Display (continued)

No.	Parameters	Description	Unit
Emergency operation			
180	Duration until activation	Duration until the activation of the emergency operation routine	[min]
181	PWM cycle duration in emergency operation	Duration of a PWM cycle in emergency operation	[min]
182	Cycle duration PWM heating	Control duration in heating operation	[%]
183	Cycle duration PWM cooling	Control duration in cooling operation	[%]
Valve protection function			
190	Duration until activation	Starting time after last activation	[d]
191	Valve activation duration	Valve activation duration (0= function deactivated)	[min]
Pump protection function			
200	Duration until activation	Starting time after last activation	[d]
201	Activation duration	Activation duration (0 = function deactivated)	[min]
210	First open function (FO)	Activation of all switching outputs at power-up	[min] Off=0
220	Automatic switching between summer and winter time	If the conversion is activated, time adaptation is performed automatically according to CET guidelines	Deactivated=0 Activated=1
230	Setback difference temperature	In case of activation of the setback via the external input	[K]

► 4.6 Resetting the factory settings

Attention! All user settings will be lost.

- If present, remove the microSD Card from the base station and delete the parameter file "params_usr.bin" at the PC.
- Press the rmBUS button of the base station Radio for three seconds in order to start the pairing mode.
 - ✓ The LED "Heating zone1" flashes.
- Press the rmBUS pushbutton again for a duration of 10 seconds.
- ✓ All heating zone LEDs flash simultaneously; after another 5 seconds of pressing the pushbutton they light up simultaneously, and go out after that.
- ✓ Now the base station is reset to factory settings and behaves as it did during the first commissioning (see section 4).

Note! Previously allocated room control units must be paired newly, see section 4.3.

ENG

DAN

NOR

FIN

SWE

POL

RUS

5 Protection functions and emergency operation

▶ 5.1 Protection functions

The base station is equipped with many protection functions for avoiding damage to the overall system.

▶ 5.1.1 Pump protection function

In order to avoid damage by longer standstill times, the pump is activated within pre-defined periods. The LED “pump” lights up during these periods.

▶ 5.1.2 Valve protection function

During periods without valve activation (e. g. outside the heating period) all heating zones with logged-in room control unit are activated in a cyclic way in order to avoid clogging of the valves.

▶ 5.1.3 Antifreeze protection function

Independent from the operating mode, every switching output is equipped with an antifreeze function. As soon as a previously set antifreeze temperature (5...10°C) is fallen short of, the valves of the allocated heating zone are activated until this temperature is reached. The antifreeze temperature can be set via the microSD card, via the software surface of the Ethernet variant or via the service level of the RBG display (parameter 161).

▶ 5.1.4 Dew point monitoring

If the installation is equipped with a dew point sensor (provided by the customer), the valves of all heating zones are closed if dewing is detected in order to avoid damages due to humidity. The dew point sensor input is only used during cooling operation.

▶ 5.1.5 Safety temperature limiter

If an optional safety temperature limiter is used, all valves are closed when a critical temperature is exceeded in order to avoid damage to sensitive floor coverings.

▶ 5.2 Emergency operation

If the base station is unable to establish a radio connection to the room control unit allocated to the heating zone after a set time has elapsed, emergency operation is activated automatically. In emergency operation, the switching outputs at the base station are activated with a modified PWM cycle duration (parameter 181) independent from the heating system in order to avoid complete cooling of the rooms (in heating operation) or dewing (in cooling operation).

ENG

DAN

NOR

FIN

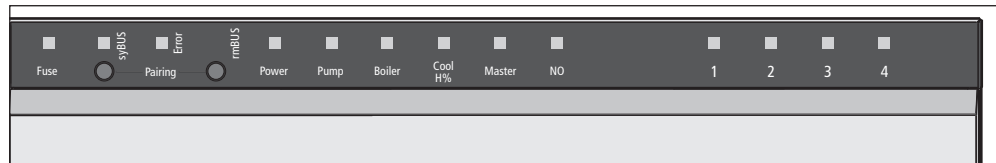
SWE

POL

RUS

6 Troubleshooting and cleaning

6.1 Error indication and elimination of errors



Signalling of the LEDs	Meaning	Elimination
<p>Fuse</p> <p>Duration in seconds</p> <p>0 1 2 3 4</p> <p>Fuse </p>	Fuse defective	➤ Change the fuse (see section 6.2)
<p>Error / Pump</p> <p>Duration in seconds</p> <p>0 1 2 3 4</p> <p>Pump </p> <p>Error </p>	Safety temperature limiter active, valves are closed	✓ The normal control operation is activated automatically after falling short of the critical temperature
<p>„Cool H%“ (only cooling operation)</p> <p>Duration in seconds</p> <p>0 1 2 3 4</p> <p>Cool </p>	Dewing detected, valves are closed	✓ The normal control operation is activated automatically if no condensation is sensed any more.
<p>Heating zone</p> <p>Duration in seconds</p> <p>0 1 2 3 4</p> <p>HZ off </p> <p>HZ on </p>	Radio connection to the room control unit faulty	➤ Change the position of the room control unit or use a repeater or an active antenna.
<p>Heating zone</p> <p>Duration in seconds</p> <p>0 1 2 3 4</p> <p>HZ off </p> <p>HZ on </p>	Low battery capacity of the room control unit	➤ Change the batteries in the room control unit
<p>Heating zone</p> <p>Duration in seconds</p> <p>0 1 2 3 4</p> <p>HZ </p>	Emergency operation active	<ul style="list-style-type: none"> ➤ Change the batteries in the room control unit ➤ Perform a radio test ➤ If necessary, reposition the room control unit. ➤ Replace a defective room control unit

LED on
 LED off

ENG
 DAN
 NOR
 FIN
 SWE
 POL
 RUS

▶ 6.2 Fuse change

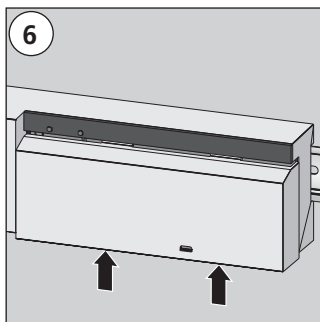
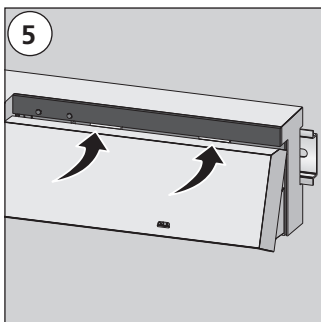
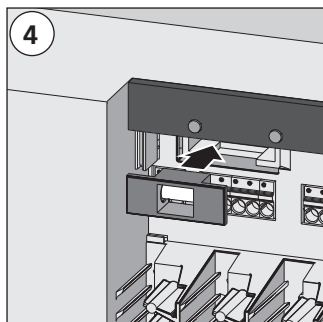
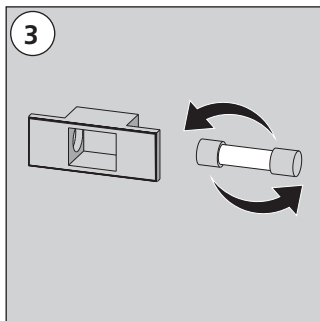
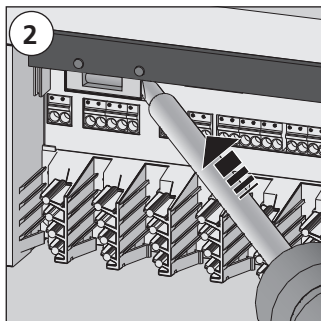
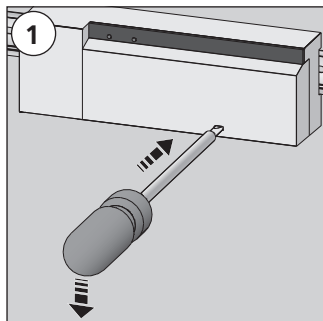


Warning

Electrical voltage! Danger to life!

The base station is live.

- Always disconnect from the mains network and secure against unintended activation before opening the base station.



▶ 6.3 Cleaning

Only use a dry and solvent-free, soft cloth for cleaning.

ENG

DAN

NOR

FIN

SWE

POL

RUS

7 Decommissioning

▶ 7.1 Decommissioning



Warning

Electrical voltage! Danger to life!

The base station is live.

- Always disconnect from the mains network and secure against unintended activation before opening it.
 - Disconnect external voltages existing at the pump and the boiler contact and secure against unintended activation.
-
- Pull the mains plug and disconnect the entire installation.
 - Remove the wiring to all externally connected components as e. g. pump, boiler and actuators.
 - Uninstall the device and dispose of properly.

▶ 7.2 Disposal



The base stations must not be disposed of with domestic waste. The operator has the duty to hand the devices to appropriate collection points. The separate collection and orderly disposal of all materials will help to conserve natural resources and ensure a recycling in a manner that protects human health and the environment. If you need information about collection points for your devices, please contact your local municipality or your local waste disposal services.

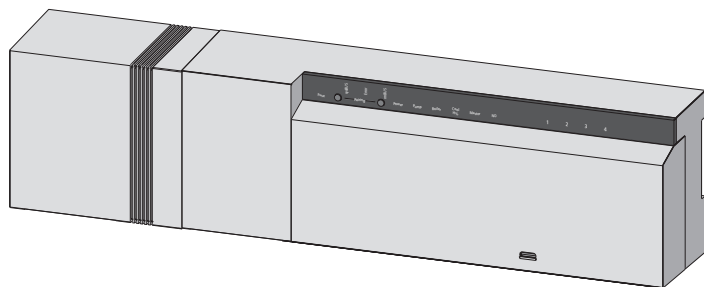
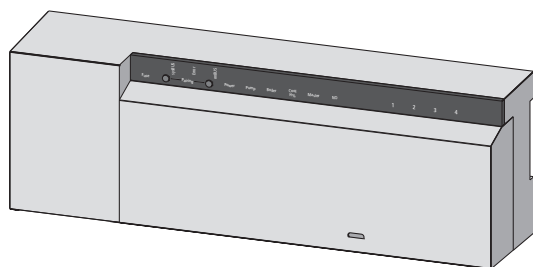
- ENG
- DAN
- NOR
- FIN
- SWE
- POL
- RUS

Made in Germany

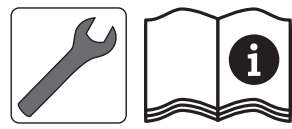


This manual is protected by copyright. All rights reserved. It may not be copied, reproduced, abbreviated or transmitted, neither in whole nor in parts, in any form, neither mechanically nor electronically, without the previous consent of the manufacturer. © 2014

BSF 20x02-xx - 230 V
BSF 40x12-xx - 24 V



- ENG
- DAN
- NOR
- FIN
- SWE
- POL
- RUS



1 Bezpieczeństwo	83
1.1 Użyte symbole sygnalizacyjne i wskazówki ostrzegawcze	83
1.2 Przeznaczenie	83
1.3 Ogólne wskazówki bezpieczeństwa	83
1.4 Wymagania montażowe	84
1.5 Ograniczenia w użyciu	84
1.6 Zgodność	84
2 Wersje	85
2.1 Zakres dostawy	85
2.2 Wskazania i elementy obsługi	85
2.3 Przyłącza	86
2.4 Dane techniczne	87
3 Instalacja	88
3.1 Montaż	88
3.2 Przyłącze elektryczne	88
3.2.1 Zewnętrzne załączenie sygnału Charge Over (CO)	89
3.2.3 Pompa/kocioł 24 V	89
3.2.2 Pompa/kocioł 230 V	89
3.2.4 Opcjonalny czujnik wilgotności	89
3.2.5 Funkcja sterowania przełączeniem opcji ogrzewanie/chłodzenie	90
3.2.6 Ewnętrzny zegar sterujący	90
3.2.8 Zastosowanie ogranicznika temperatury	91
3.2.9 Przyłącze sieci Ethernet - Warianty	91
4 Uruchomienie	92
4.1 Pierwsze uruchomienie	92
4.2 Łączenie / rozłączanie stacji bazowych (Pairing)	92
4.2 Łączenie / rozłączanie stacji bazowych (Pairing) - kontynuacja	93
4.3 Przyporządkowywanie termostatu pokojowego strefie grzania (parowanie)	93
4.4 Sprawdzenia połączenia bezprzewodowego	93
4.5 Konfiguracja systemu	94
4.5.2 Konfiguracja z bezprzewodowym termostatem pokojowym z wyświetlaczem	94
4.6 Przywracanie ustawień fabrycznych	96
5 Funkcje ochrony i tryb awaryjny	97
5.1 Funkcje ochrony	97
5.1.1 Funkcja ochrony pompy	97
5.1.2 Funkcja ochrony zaworów	97
5.1.3 Funkcja ochrony przed mrozem	97
5.1.4 Kontrola punktu rosy	97
5.1.5 Ogranicznik temperatury bezpieczeństwa	97
5.2 Tryb awaryjny	97
6 Usuwanie problemów i czyszczenie	98
6.1 Wskazania i usuwanie błędów	98
6.2 Wymiana bezpiecznika	99
6.3 Czyszczenie	99
7 Wycofanie z użycia	100
7.1 Wycofanie z użycia	100
7.2 Usuwanie	100

1 Bezpieczeństwo

▶ 1.1 Użyte symbole sygnalizacyjne i wskazówki ostrzegawcze

Poniższe symbole wskazują użytkownikowi, że

- niezbędne jest wykonanie czynności.
- ✓ musi zostać spełniony dany warunek.



Ostrzeżenie

Ryzyko utraty życia na skutek porażenia prądem.

O ryzyku porażenia prądem ostrzega znajdujący się obok symbol. Wskazówki ostrzegawcze są wyróżnione poziomymi liniami.

▶ 1.2 Przeznaczenie

Listwy bezprzewodowe 24V 230V, typ BSF x0xx2-xx służą

- ✓ do zbudowania systemu regulacji (regulacji dodatkowej) z maks. 12 strefami (zależnie od zastosowanego typu) do układów grzewczych i chłodzących,
- ✓ do podłączenia maks. 18 siłowników i 12 termostatów pokojowych (zależnie od zastosowanego typu), pompy, sygnalizatora CO, czujnika wilgotności z zestykiem bezpotencjałowym oraz zewnętrznego zegara sterującego.
- ✓ do instalacji stacjonarnych.

Wszelkie inne zastosowanie traktuje się jako **niezgodne z przeznaczeniem**, za które producent nie ponosi odpowiedzialności.

Zmiany i modyfikacje są wyraźnie zabronione i prowadzą do ryzyka, za które producent nie ponosi odpowiedzialności.

▶ 1.3 Ogólne wskazówki bezpieczeństwa



Ostrzeżenie

Ryzyko utraty życia na skutek porażenia prądem

listwa elektryczna znajduje się pod napięciem.

- Przed otwarciem zawsze odłączać od sieci i zabezpieczać przed nieumyślnym włączeniem.
- Odłączyć napięcie z obcych źródeł sąsiadujących z przyłączeniem pomp i kotła i zabezpieczyć je przed ponownym nieumyślnym włączeniem.

Nagły przypadek

- W nagłych przypadkach należy odłączyć zasilanie listwy elektrycznej.

Instrukcję należy zachować i przekazać kolejnemu użytkownikowi urządzenia.



ENG

DAN

NOR

FIN

SWE

POL

RUS

▶ 1.4 Wymagania montażowe

Upoważnieni specjaliści

Instalacje elektryczne należy wykonywać zgodnie z aktualnymi przepisami i normami oraz przepisami lokalnego zakładu energetycznego. Niniejsza instrukcja wymaga wiedzy specjalistycznej potwierdzonej państwowym **dyplomem ukończenia nauki** w jednym z następujących zawodów:

✓ **Monter instalacji elektrycznych lub elektronik**

zgodnie z ogłoszonymi urzędowo w Republice Federalnej

Niemiec nazwami zawodów oraz porównywalnymi dyplomami ukończenia nauki zawodu w europejskim prawie wspólnotowym.

▶ 1.5 Ograniczenia w użyciu

Urządzenie nie jest przeznaczone do użytkowania przez osoby (w tym dzieci) o ograniczonej zdolności fizycznej, sensorycznej lub psychicznej lub nieposiadające doświadczenia i/lub wiedzy, chyba że będą one pilnowane przez osoby odpowiedzialne za ich bezpieczeństwo lub otrzymają od takich osób instrukcje dotyczące użytkowania urządzenia.

ENG

Dzieci należy pilnować zapewniając, żeby nie bawiły się one urządzeniem.

DAN

NOR

▶ 1.6 Zgodność

FIN

Produkt ten jest oznaczony znakiem CE i odpowiada tym samym wymaganiom z dyrektyw:

SWE

- ✓ 2004/108/WE z późniejszymi zmianami „Wytyczna Rady w sprawie harmonizacji ustawodawstw Państw Członkowskich odnoszących się do kompatybilności elektromagnetycznej”
- ✓ 2006/95/WE z późniejszymi zmianami „Wytyczna Rady w sprawie harmonizacji ustawodawstw Państw Członkowskich dotyczących sprzętu elektrycznego przewidzianego do stosowania w określonych granicach napięcia”
- ✓ Ustawa o urządzeniach radiowych oraz telekomunikacyjnych urządzeniach końcowych (FTEG) oraz wytyczna 1999/5/WE (R&TTE)”

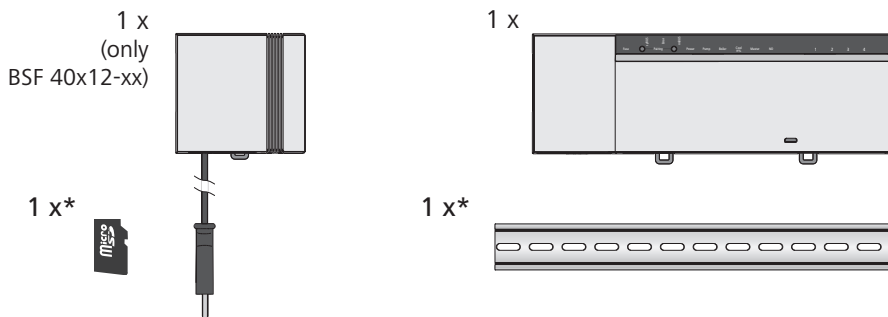
POL

RUS

Cała instalacja może być objęta dalej idącymi wymaganiami bezpieczeństwa, za których zachowanie odpowiedzialny jest instalator.

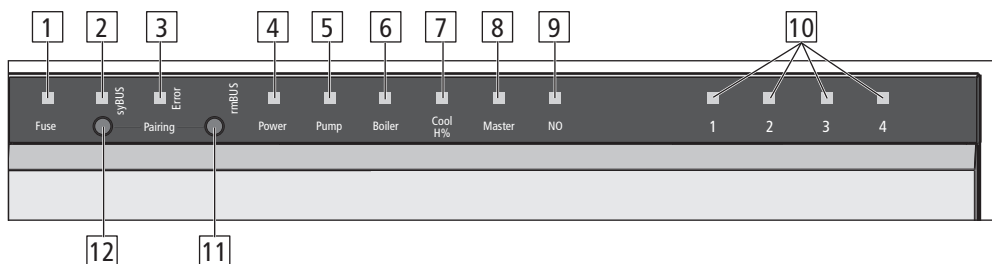
2 Wersje

2.1 Zakres dostawy



* w opcji

2.2 Wskazania i elementy obsługi



Nr	Nazwa	LED	Funkcja
1	Fuse	czerwona	Świeci przy uszkodzeniu bezpiecznika
2	syBUS	żółta	Pokazuje, że syBUS jest aktywny, miga w trakcie dostępu do zapisu na karcie pamięci microSD.
3	Error	czerwona	Świeci: Aktywny ogranicznik temperatury bezpieczeństwa
4	Power	zielona	Świeci: Stacja bazowa jest gotowa do pracy
5	Pump	zielona	Świeci: Zasterowanie pomp jest aktywne
6	Boiler	zielona	Świeci przy aktywnym zasterowaniu kotła przy zastosowaniu przekaźnika Boiler (kotłowego) do sterowania pompą.
7	Cool H%	niebieska	Świeci: Tryb chłodzący jest aktywny Pulsuje: Stwierdzono pokrycie rosą
8	Master	żółta	Świeci: Stacja bazowa skonfigurowana jako Master Pulsuje: Stacja bazowa skonfigurowana jako Slave
9	NO	żółta	Świeci: Parametry napędów ustawiono jako NO (otwarte w przypadku braku zasilania)
10	Strefy grzania 1 - x	zielona	Pokazuje odpowiednią aktywność stref grzania i chłodzenia
11	Przycisk rmBUS	-	Przycisk do obsługi funkcji rmBUS
12	Przycisk syBUS	-	Przycisk do obsługi funkcji syBUS

ENG

DAN

NOR

FIN

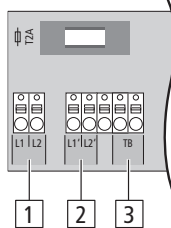
SWE

POL

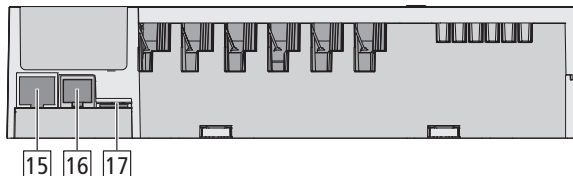
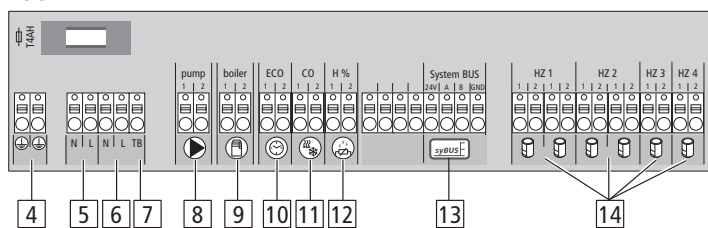
RUS

2.3 Przyłącza

24 V



230 V



Nr	Przyłącze	Funkcja
1	Transformator sieciowy	Tylko wersja 24 V: złącze transformatora systemowego
2	Wyjście 24 V	Tylko wersja 24 V: wyjście zasilania np. ogranicznika temperatury bezpieczeństwa (dostarczany przez użytkownika na miejscu montażu)
3/7	Ogranicznik temperatury	złącze dostarczanego przez użytkownika na miejscu montażu ogranicznika temperatury służącego do ochrony powierzchni wrażliwych (opcjonalnie)
4	Przewód ochrony 1 i 2	Tylko wersja 230 V: złącza przewodu ochronnego
5	Przyłącze sieciowe N/L	Tylko wersja 230 V: złącze zasilania sieciowego
6	Wyjście 230 V	Tylko wersja 230 V: opcjonalna rezerwacja złączy do bezpośredniego zasilania energetycznego
8	Pompa	Złącze sterowania pompy
9	Kocioł	Przyłącze do zasterowania kotła lub wyjście fikcji CO- Pilota
10	ECO	Wejście bezpotencjałowe do podłączenia zewnętrznego zegara sterującego
11	Change Over	Wejście bezpotencjałowe (zgodnie z SELV) zewnętrznego sygnału CO
12	Czujnik punktu rosy	Wejście bezpotencjałowe (zgodnie z SELV) czujnika punktu rosy
13	syBUS	6 do 18 złączy elementów wykonawczych (siłowników)
14	Elementy wykonawcze	6 do 18 złączy elementów wykonawczych (siłowników)
15	Złącze RJ45 (w opcji)	Złącze sieci Ethernet służące do podłączenia listwy elektrycznej do sieci domowej
16	Złącze RJ12	Złącze na akcesoria opcjonalne, takie jak antena zewnętrzna
17	Gniazdo karty microSD	Umożliwia wgranie aktualizacji oprogramowania Firmware i indywidualnych ustawień systemu.

2.4 Dane techniczne

	BSF 20102-04	BSF 20202-04	BSF 20102-08	BSF 20202-08	BSF 20102-12	BSF 20202-12	BSF 40112-04	BSF 40112-04	BSF 40112-08	BSF 40112-08	BSF 40112-12	BSF 40212-12
Ethernet	-	x	-	x	-	x	-	x	-	x	-	x
Liczba stref grzania	4		8		12		4		8		12	
Liczba siłowników	2x2 + 2x1		4x2 + 4x1		6x2 + 6x1		2x2 + 2x1		4x2 + 4x1		6x2 + 6x1	
Maks. obciążenie nominalne wszystkich siłowników	24 W											
Moc załączalna każdej strefy grzania	maks. 1 A											
Napięcie robocze	230 V / ±15% / 50 Hz											
Przyłącze sieciowe	Zaciski przyłącza NVM 3 x 1,5 mm ²											
Pobór mocy (bez pompy)	50 W											
Pobór mocy w stanie podtrzymania i z transformatorem	1,5 W	2,4 W	1,5 W	2,4 W	1,5 W	2,4 W	0,3 W / 0,6 W	1,1 W / 1,4 W	0,3 W / 0,6 W	1,1 W / 1,4 W	0,3 W / 0,6 W	1,1 W / 1,4 W
Klasa ochrony	II											
Stopień ochrony / kategoria przepięciowa	IP20 / III											
Bezpiecznik	5 x 20 mm, T4AH											
Temperatura otoczenia	0°C - 60°C											
Temperatura składowania	-25°C do +70°C											
Wilgotność powietrza	5 - 80% nie skraplająca się											
Wymiary	225 x 52 x 75 mm	290 x 52 x 75 mm	355x 52 x 75 mm	305 x 52 x 75 mm	370 x 52 x 75 mm	435 x 52 x 75 mm						
Materiał	PC+ABS											
Dokładność regulacji wartości zadanej:	±1 K											
Wahania regulacji	±0,2 K											
Modulacja	FSK											
Čzęstotliwość nośna	868 MHz, dwukierunkowa											
Zasięę	25 m w budynkach / 250 m w wolnej przestrzeni											
Moc nadawcza	maks. 10 mW											

ENG

DAN

NOR

FIN

SWE

POL

RUS

3 Instalacja

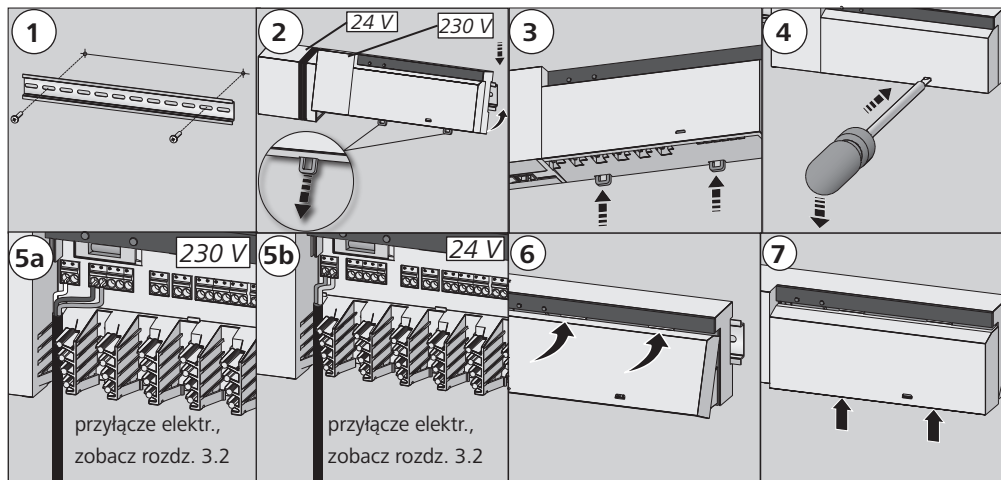
3.1 Montaż



Ostrzeżenie

Ryzyko utraty życia na skutek porażenia prądem

Wszystkie prace związane z instalacją należy przeprowadzać w stanie odłączonym od napięcia.



ENG

DAN

NOR

3.2 Przyłącze elektryczne



Ostrzeżenie

Ryzyko utraty życia na skutek porażenia prądem

Wszystkie prace związane z instalacją należy przeprowadzać w stanie odłączonym od napięcia.

SWE

POL

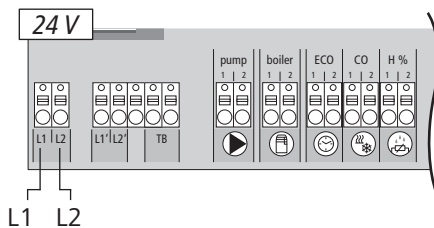
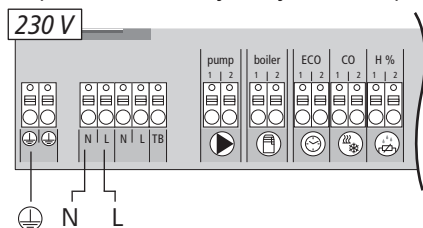
RUS

Podłączenie układu regulacji zależy od czynników indywidualnych oraz musi być starannie zaplanowane i realizowane przez instalatora.

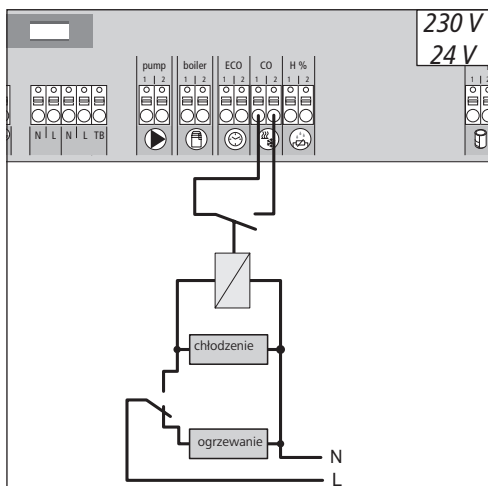
Na przyłącza wtykowo-zaciskowe zastosować można następujące przekroje:

- ✓ przewód masywny: 0,5 – 1,5 mm²
- ✓ przewód elastyczny: 1,0 – 1,5 mm²
- ✓ Końcówki przewodów o dług. 8 - 9 mm ze zdjętą izolacją.
- ✓ Przewody siłowników można stosować z montowanymi fabrycznie tulejkami kablowymi.

Informacja: W przypadku wariantu 230 V zasilanie w energię elektryczną może nastąpić za pośrednictwem jednej z dwóch par zacisków N i L.

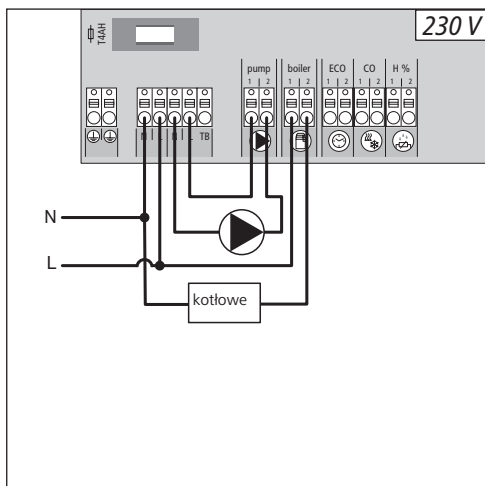


▶ 3.2.1 Zewnętrzne załączenie sygnału Charge Over (CO)



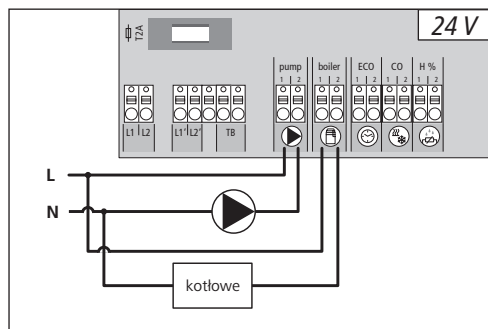
Przy wykorzystaniu zewnętrznego sygnału Charge Over (CO) cała instalacja przełącza się zgodnie z sygnałem pomiędzy trybem grzania i chłodzenia.

▶ 3.2.2 Pompa/kocioł 230 V



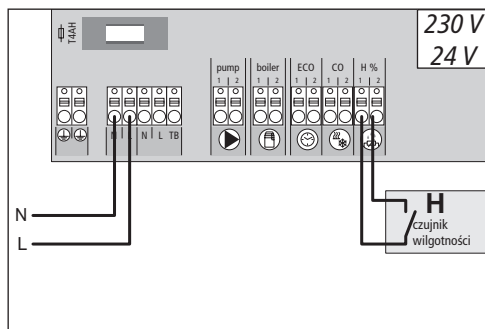
Złącze Boiler (kocioł) umożliwia sterowanie generatorem ciepła. Ponadto możliwe jest bezpośrednie zasilanie i sterowanie pompy.

▶ 3.2.3 Pompa/kocioł 24 V



Złącze Boiler (kocioł) umożliwia sterowanie generatorem ciepła. Ponadto możliwe jest sterowanie pompą.

▶ 3.2.4 Opcjonalny czujnik wilgotności



Dostarczane przez użytkownika na miejscu montażu czujniki wilgotności służą do ochrony przed obroszeniem powstającym w trybie chłodzenia.

ENG

DAN

NOR

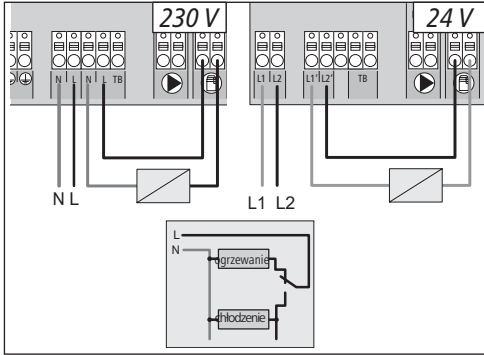
FIN

SWE

POL

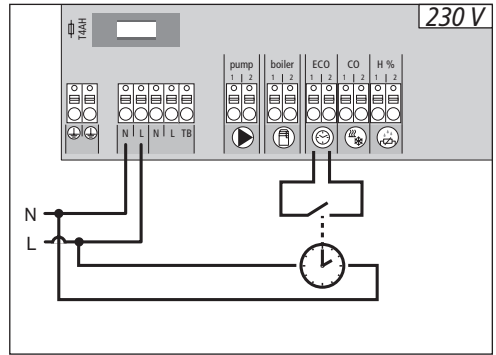
RUS

► 3.2.5 Funkcja sterowania przełączeniem opcji ogrzewanie/chłodzenie



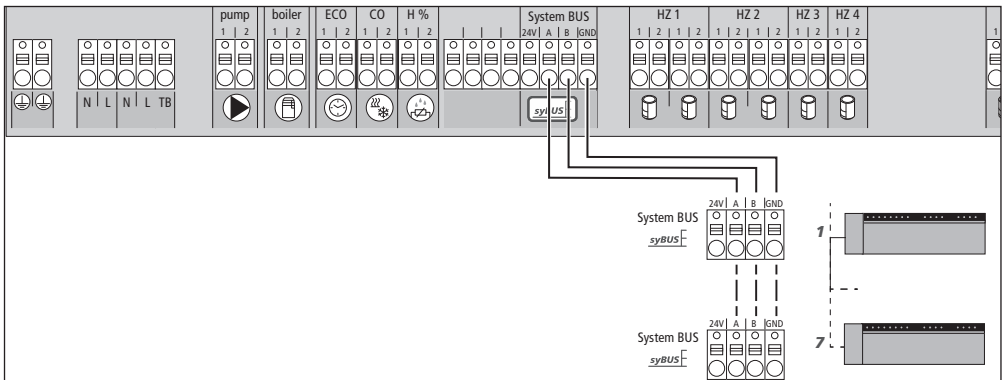
W przypadku braku dostępnego zewnętrznego sygnału Change Over (CO) można użyć wewnętrznej funkcji przełączania listwy elektrycznej służącej do przełączania całej instalacji pomiędzy trybami grzania i chłodzenia. W tym przypadku stosuje się przełącznik wykorzystywany przez listwę elektryczną do przełączania.

► 3.2.6 Ewnętrzny zegar sterujący



Listwa elektryczna jest wyposażona w wejście ECO służące do podłączenia zewnętrznego zegara sterującego do wykorzystania w przypadkach, kiedy nie należy używać wewnętrznego zegara na wyświetlaczu termostatu bezprzewodowego. Po aktywacji wejścia przez zegar sterujący strefy grzania są przełączane na tryb nocny.

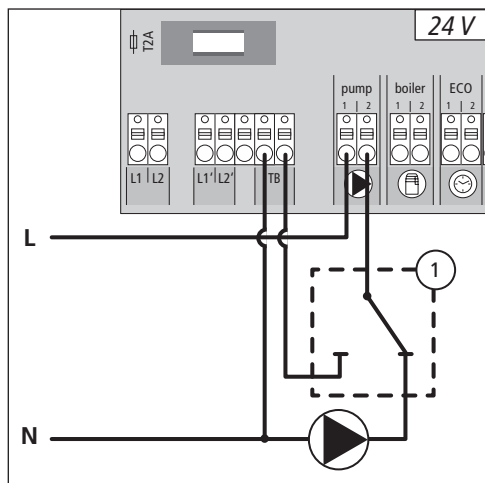
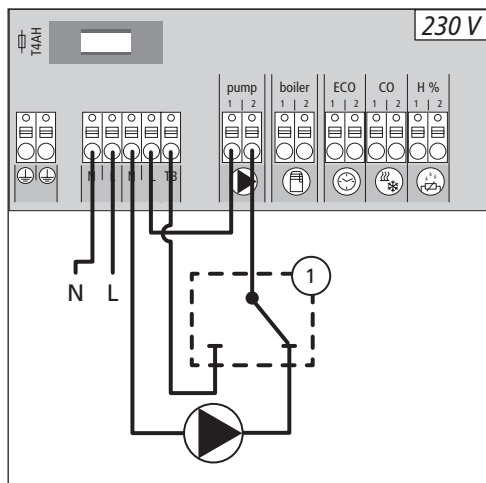
► 3.2.7 System BUS



W celu wymiany globalnych parametrów systemu możliwe jest połączenie max. siedmiu stacji bazowych za pośrednictwem systemu BUS (syBUS). Po wykonaniu okablowania należy sparować stacje bazowe - patrz rozdział 4.2 W przypadku średnicy przewodu <6 mm należy przewidzieć instalację systemu odciążenia.

Uwaga! Możliwe jest połączenie stacji bazowych za pomocą fal radiowych, patrz 4.2. Możliwe jest łączenie z sobą obu wariantów.

▶ 3.2.8 Zastosowanie ogranicznika temperatury



Podłączenie ogranicznika temperatury dostarczonego w miejscu montażu (1). Wyłącza on pompę i włącza wejście ograniczenia temperatury, gdy rozpoznane zostaną zbyt wysokie wartości temperatury dopływu czynnika w ogrzewaniu podłogowym. Po włączeniu ogranicznika temperatury, listwa elektryczna zamyka automatycznie wszystkie napędy.

▶ 3.2.9 Przyłącze sieci Ethernet - Warianty

Listwy elektryczne BSF xx2xx-xx wyposażone są w złącze RJ45 oraz zintegrowany serwer sieci web umożliwiający sterowanie systemem i jego konfigurację za pomocą komputera/laptopa oraz przez Internet.

- Listwę elektryczną można podłączyć do sieci domowej lub bezpośrednio do komputera/laptopa, przy użyciu kabla sieciowego.

Podłączenie do sieci domowej:

- Otworzyć menu rutera (zobacz instrukcja odpowiedniego urządzenia) wpisując adres w pasku przeglądarki internetowej (Internet Explorer, Firefox, ...)
- Wyświetlić listę wszystkich znajdujących się w sieci urządzeń.
- Porównać adresy MAC (patrz tabliczka znamionowa), aby znaleźć adres IP przypisany do listwy elektrycznej.
- Zanotować adres IP listwy, a następnie wpisać go w pasek adresu przeglądarki internetowej, aby otworzyć interfejs sieciowy.

Podłączenie bezpośrednio do komputera/laptopa:

- Otworzyć w komputerze lub na laptopie okno instalacji sieci i ręcznie przypisać adres IP 192.168.100.1 oraz maskę podsieci 255.255.0.0.
- Wprowadzenie adresu IP 192.168.100.100 do okna adresowego przeglądarki sieciowej pozwala na dostęp do interfejsu sieciowego.

Dalsze informacje dotyczące konfiguracji i dostępu przez Internet można uzyskać na stronie www.ezr-home.de.

ENG

DAN

NOR

FIN

SWE

POL

RUS

4 Uruchomienie

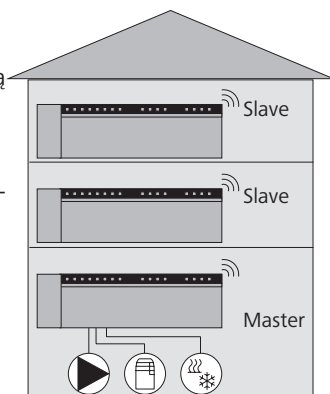
▶ 4.1 Pierwsze uruchomienie

W ciągu pierwszych 30 minut po włączeniu zasilania sieciowego stacja bazowa znajduje się w trybie instalacyjnym. W tym trybie następuje porównanie temperatur zadanych i rzeczywistych, wszelkie pozostałe funkcje nie są aktywne. Jeżeli temperatura rzeczywista jest niższa niż temperatura zadana, wyjście stacji bazowej, przyporządkowane do odpowiedniego urządzenia obsługowego zostanie zasterowane. W ten sposób odbywa się sygnalizacja stacji bazowej bez opóźnienia, dzięki czemu możliwa jest kontrola przyporządkowania odpowiedniego urządzenia do obsługi pomieszczeń do wyjścia stacji bazowej.

- Włączyć zasilanie sieciowe
- ✓ Stacja bazowa inicjalizuje moduł instalacyjny na 30 minut.
- ✓ Jeżeli wprowadzone parametry stacji bazowej dotyczą napędów NC, wszelkie strefy grzewcze zostaną zasterowane na 10 minut, aby odblokować funkcję First-Open napędów NC..
- ✓ Dioda LED „Power” (wskaźnik włączenia) świeci światłem ciągłym.

▶ 4.2 Łączenie / rozłączenie stacji bazowych (Pairing)

W przypadku zastosowania kilku stacji bazowych w jednym systemie grzewczym możliwe jest połączenie (Pairing) do siedmiu urządzeń do wymiany globalnych parametrów systemu za pomocą fal radiowych lub magistrali systemowej (syBUS). W przypadku połączenia za pomocą fal radiowych należy uwzględnić zasięg fal, emitowanych przez stację bazową. Gdyby zasięg fal, emitowanych przez stację bazową, nie był wystarczający, niezbędne jest połączenie za pomocą magistrali syBUS. Komunikacja odbywa się według zasady Master-/ Slave. Pomiędzy jednostkami nastąpi wymiana wymogów i komunikatów statusowych. Jednostka nadrzędna (master) steruje centralnie bezpośrednio podłączonymi funkcjami i częściami:



- Wejście/wyjście CO (przy aktywnym przełączaniu listwy elektrycznej między ogrzewaniem/chłodzeniem)
- Wyjście kotłowe
- Wyjście pompowe

Wskazówka: Stacja bazowa, do której podłączone są elementy, powinna być skonfigurowana jako Master. Dalsze stacje bazowe mogą być tylko sparowane ze stacją Master.

Parowanie stacji bazowych przeprowadza się w sposób następujący:

- Klawisz syBUS stacji bazowej, która ma być skonfigurowana jako Master, należy przycisnąć i odczekać 3 sekundy, aby uruchomić tryb parowania.
- ✓ Miga dioda LED „syBUS”.
- ✓ Tryb parowania jest gotowy przez 3 min. na odbiór sygnału parowania z innej stacji bazowej.
- Klawisz syBUS stacji bazowej, która ma być skonfigurowana jako Slave, należy przycisnąć dwukrotnie na czas 1 sekundy, aby uruchomić tryb parowania tych stacji ze stacją Master.
- ✓ Urządzenia samoczynnie opuszczają tryb parowania po przeprowadzeniu procesu.
- ✓ Dioda LED „Master” świeci trwale przy stacji bazowej, skonfigurowanej jako Master.
- ✓ Dioda LED „Master” pulsuje, jeżeli stacja bazowa została skonfigurowana jako Slave.
- W celu sparowania dalszych stacji bazowych należy powtórzyć proces.

▶ 4.2 Łączenie / rozłączanie stacji bazowych (Pairing) - kontynuacja

Rozdzielenie sparowanych stacji bazowych możliwe jest w sposób następujący:

- Klawisz syBUS stacji bazowej, która ma być odłączona od innych stacji należy przycisnąć i odczekać 3 sekundy, aby uruchomić tryb parowania.
- ✓ Dioda LED „syBUS” pulsuje.
- Należy ponownie wcisnąć klawisz syBUS i przytrzymać przez około 10 sekund.
- ✓ Stacja bazowa uruchamia się ponownie, dioda LED „Master” gaśnie.

▶ 4.3 Przyporządkowywanie termostatu pokojowego strefie grzania (parowanie)

- Klawisz rmBUS stacji bazowej należy przycisnąć i odczekać 3 sekundy, aby uruchomić tryb parowania.
- ✓ Miga dioda LED „Strefa grzania 1”.
- Wybrać strefę grzejną wciskając krótko klawisz, który reprezentuje pożądaną strefę.
- ✓ Wybrana strefa grzania jest gotowa przez 3 minuty na odbiór sygnału parowania bezprzewodowego termostatu pokojowego.
- Aktywować funkcję parowania na termostacie pokojowym (zobacz instrukcja termostatu pokojowego).
- ✓ Wyjście z trybu parowania następuje zaraz, gdy nastąpi pomyślne przyporządkowanie.
- ✓ Dioda LED stacji grzejnej, wybranej uprzednio, świeci przez 1 minutę.
- Powtórzyć operację, aby przyporządkować kolejne termostaty pokojowe.

Wskazówka Termostat pokojowy może być przyporządkowany do kilku stref grzania. Przyporządkowanie kilku termostatów pokojowych do jednej strefy nie jest możliwe.

▶ 4.4 Sprawdzenia połączenia bezprzewodowego

Za pomocą kontroli połączenia radiowego możliwe jest testowanie komunikacji pomiędzy stacją bazową z urządzeniem do obsługi pomieszczeń. Test połączenia należy przeprowadzić z pozycji zaplanowanego miejsca montażu urządzenia do obsługi pomieszczeń.

- ✓ Listwa elektryczna nie może znajdować się w trybie parowania.
- Kontrolę należy uruchomić przy urządzeniu obsługowym (patrz instrukcja obsługi urządzenia do obsługi pomieszczeń).
- ✓ Na listwie elektrycznej połączonej z termostatem strefa grzewcza zostaje włączana lub wyłączana na 1 minutę w zależności od aktualnego trybu pracy.
- Jeżeli nie nastąpi zasterowanie, warunki odbioru są niekorzystne. Należy postępować według poniższych wskazań:
 - Uwzględniając warunki montażu termostatu pokojowego należy zmieniać pozycję montażu do uzyskania dobrego sygnału odbioru lub
 - Wykorzystać akcesoria opcjonalne „antenę zewnętrzną” lub „repeater” do wzmocnienia sygnału radiowego. Przy instalacji postępować zgodnie z odpowiednią instrukcją.

ENG

DAN

NOR

FIN

SWE

POL

RUS

► 4.5 Konfiguracja systemu

Konfiguracja stacji bazowej odbywa się opcjonalnie za pomocą karty MicroSD, z poziomu oprogramowania wariantu Ethernet lub z poziomu serwisowego wyświetlacza urządzenia do obsługi pomieszczeń.

► 4.5.1 Konfiguracja systemu z kartą MicroSD

Za pośrednictwem Manager EZR karty SD, dostępnego pod adresem www.ezr-home.de możliwe jest wprowadzenie ustawień indywidualnych oraz ich przeniesienie do stacji bazowej za pomocą karty microSD. Od wersji oprogramowania 01.70 stacja bazowa rozpoznaje karty microSD >2 GB, sformatowane w systemie plików FAT16 lub FAT32.

- Wejść na stronę www.ezr-home.de przy pomocy przeglądarki w Twoim komputerze, wybierz kartę pamięci SD menedżera EZR (EZR Manager SD Card) i postępuj zgodnie z instrukcjami, jakie ukażą się na stronie.
- Kartę microSD z zaktualizowanymi danymi należy wsunąć do gniazda stacji bazowej.
- ✓ Proces przenoszenia rozpoczyna się automatycznie i kopiuje zaktualizowane dane do stacji bazowej.
- ✓ Podczas procesu przenoszenia pulsuje dioda LED „syBUS”.
- ✓ Po przeniesieniu danych dioda LED „syBUS” gaśnie.

► 4.5.2 Konfiguracja z bezprzewodowym termostatem pokojowym z wyświetlaczem

Poziom obsługi bezprzewodowego termostatu pokojowego z wyświetlaczem jest chroniony kodem PIN i może być używany wyłącznie przez upoważnionych specjalistów.

Uwaga! Nieprawidłowe konfiguracje prowadzą do błędów i grożą uszkodzeniem instalacji.

- Wcisnąć pokrętkę.
- Wybrać menu „Poziom obsługi” i aktywować go naciskając pokrętkę.
- Wprowadzić 4-cyfrowy PIN (standardowo: 1234) obracając i naciskając pokrętkę.
- Wybrać parametr (PAR) ponownie naciskając pokrętkę i wpisać kod numeru żadanego parametru (zobacz poniższa tabela).
- Zmienić parametr w miarę potrzeby i potwierdzić naciśnięciem pokrętki.

Nr	Parametry	Opis	Jednostka
010	Użyty system grzewczy	możliwe do ustawienia w każdej strefie grzania: ogrzewanie podłogowe (FBH)standardowe / FBH źródło nisko temperaturowe / grzejnik / konwektor bierny / konwektor aktywny	FBH St.=0 FBH NE=1 RAD=2 KON pas.=3 KON akt.=4
020	Blokada grzania/chłodzenia	Blokada wyjść łączeniowych w zależności od uruchomionego trybu pracy (grzanie/chłodzenie)	normalnie=0 Grzanie blokada=1 Chłodzenie blokada=2
030	Blokada obsługi (zabezpieczenie przed dziećmi)	Wykonanie zdjęcia chronionej hasłem blokady obsługi	Deaktywowane=0 Aktywowane=1
031	Hasło blokady obsługi	Ustalić PIN, gdy par. 30 jest ustawiony na uruchomiony	0000..9999

► 4.5.2 Konfiguracja z bezprzewodowym termostatem pokojowym z wyświetlaczem (c.d.)

Nr	Parametry	Opis	Jednostka
040	Zewnętrzny czujnik podłączony to termostatu z wyświetlaczem	Zgłoszenie dodatkowego czujnika do pomiaru temperatury podłogowej (FBH), temperatury pokojowej lub temperatury rosy	brak czujnika=0 Czujnik temp. rosy=1 Temp. podł. FBH=2 Temp. pokojowa=3
060	Regulacja nastawy temperatury	Pomiar temperatury rzeczywistej skorygowany oadaną wartość	-2,0...+2,0 K w krokach co 0,1
110	Sposób działania wyjścia siłowników	Przełączanie pracy siłowników NC i NO (tylko globalnie)	NC=0 / NO=1
115	Wybór sterowania obniżeniem temperatury	Wybieramy pomiędzy sterowaniem obniżeniem temperatury przez wejście ECO lub Funkcję urlop termostatu RGB Aktywacja funkcji urlopowej przez urządzenie do obsługi pomieszczeń nie jest możliwa, jeżeli parametr ten ustawiono na 1.	ECO=0 Urlop=1
120	Wybranie jednostki temperatury	Zmiana wskazań pomiędzy stopniami Celsjusza i Fahrenheit	°C=0 °F=1
Konfiguracja pompy			
130	Wyjście pompy	Zastosowanie sterowanie pompą lokalną (dla części obwodów) lub globalną (dla całej instalacji)	lokalnie=0 globalnie=1
131	Rodzaj pompy	Wybór zastosowanej pompy: Pompa konwencjonalna (KP) / Pompa wysokowydajna (HP)	standardowa=0 energooszczędna=1
132	Czas do uruchomienia pompy	Czas do uruchomienia pompy po otrzymaniu sygnału załączenia przynajmniej 1 siłownika (dotyczy pompy standardowej)	[min]
133	Czas do zatrzymania pompy	Czas do wyłączenia pompy po otrzymaniu sygnału zamknięcia wszystkich siłowników (dotyczy pompy standardowej)	[min]
134	Sposób działania przekaźnika pompy	Przy zastosowaniu przekaźnika pompy jako wyjścia sterującego można zmienić sposób działania	normalnie=0 przeciwnie=1
135	Minimalny czas pracy	Minimalny czas pracy informuje o czasie pracy pompy wysokowydajnej do chwili jej wyłączenia.	[min]
136	Minimalny czas postoju	Pompa wysokowydajna: Pompę można wyłączyć tylko wtedy, gdy może być zapewniony minimalny czas postoju.	[min]
Konfiguracja funkcji Change Over / przekaźnika kotła			
140	Funkcja przekaźnika kotła / wyjścia CO	Wybór, czy wyjście łączeniowe ma służyć do włączania sterowania przekaźnika kotła, czy jako sterowanie CO	Kocioł=0 Sterowanie CO=1
141	Czas do uruchomienia	Czas do uruchomienia kotła po otrzymaniu sygnału załączenia przynajmniej 1 siłownika (dotyczy pompy standardowej)	[min]
142	Czas do wyłączenia	Czas do wyłączenia kotła po otrzymaniu sygnału zamknięcia wszystkich siłowników (dotyczy pompy standardowej)	[min]
143	Sposób działania przekaźnika	W przypadku użycia wyjścia sterowania możliwa jest inwersja funkcji przekaźnika.	normalnie=0 przeciwnie=1
150	Funkcja sterowania ChangeOver	Przełączanie grzanie-chłodzenie między ręcznym lub automatycznym trybem sterowania CO	Tryb ręczny=0 Tryb automatyczny=1
160	Funkcja ochrony przed zamrożeniem	Włączenie sterowania wyjść łączeniowych przy $T_{rzecz} < x^{\circ}C$	Deaktywowane=0 Aktywowane=1
161	Temperatura ochrony przed zamrożeniem	Wartość graniczna dla uruchomienia funkcji ochrony przed zamrożeniem	[°C]
170	Smart Start	Programowanie charakterystyki temperaturowej poszczególnych stref grzania	Deaktywowane=0 Aktywowane=1

ENG

DAN

NOR

FIN

SWE

POL

RUS

► 4.5.2 Konfiguracja z bezprzewodowym termostatem pokojowym z wyświetlaczem (c.d.)

Nr	Parametry	Opis	Jednostka
Tryb awaryjny			
180	Czas trwania do aktywacji	Czas trwania do aktywacji procedury trybu awaryjnego	[min]
181	Czas trwania cyklu PWM w trybie awaryjnym	Czas trwania cyklu PWM w trybie awaryjnym	[min]
182	Czas trwania cyklu PWM grzanie	Czas włączenia sterowania w trybie grzania	[%]
183	Czas trwania cyklu PWM chłodzenie	Czas włączenia sterowania w trybie chłodzenia	[%]
Funkcja ochrony zaworów			
190	Czas trwania do aktywacji	Czas uruchomienia po ostatnim załączeniu	[d]
191	Czas trwania włączenia sterowania zaworów	Czas włączenia sterowania zaworów (0= funkcja deaktywowana)	[min]
Funkcja ochrony pompy			
200	Czas trwania do aktywacji	Czas uruchomienia po ostatnim załączeniu	[d]
201	Czas trwania włączenia sterowania	Czas włączenia sterowania (0= funkcja deaktywowana)	[min]
210	Funkcja First Open (FO)	Włączenie sterowania wszystkich wyjść łączeniowych przy włączeniu zasilania elektrycznego	[min] Wył.=0
220	Automatyczne przestawianie czasu zimowego i letniego	Przy aktywnym przestawieniu automatycznie następuje dostosowanie czasu zgodnie z wytycznymi CET	Deaktywowane=0 Aktywowane=1
230	Określenie obniżenia temperatury	Przy aktywowaniu obniżania temperatury poprzez wejście zewnętrzne	[K]

► 4.6 Przywracanie ustawień fabrycznych

Uwaga! Wszystkie ustawienia użytkownika zostają utracone.

- Jeżeli karta microSD znajduje się w gnieździe stacji bazowej, należy ją wyjąć i skasować plik parametrów „params_usr.bin” z pamięci komputera.
- Przytrzymać wciśnięty przycisk rmbUS listwy elektrycznej przez 3 sek., aby uruchomić tryb parowania.
- ✓ Miga dioda LED „Strefa grzania 1”.
- Wcisnąć ponownie przycisk rmbUS i przytrzymać wciśnięty przez 10 sekund.
- ✓ Wszystkie diody LED stref ogrzewania migają jednocześnie, po przyciśnięciu, po 5 sekundach, przestają migać i świecą, po czym gasną
- ✓ Listwa elektryczna jest resetowana do ustawień fabrycznych i zachowuje się jak przy pierwszym uruchomieniu (zobacz rozdział Pierwsze uruchomienie, strona 8).

Wskazówka! Urządzenia obsługowe, uprzednio przyporządkowane, należy ponownie sparować, patrz rozdział 4.3.

5 Funkcje ochrony i tryb awaryjny

► 5.1 Funkcje ochrony

Listwa elektryczna posiada wiele środków ochrony pozwalających uniknąć uszkodzeń całego systemu.

► 5.1.1 Funkcja ochrony pompy

W celu uniknięcia uszkodzeń spowodowanych dłuższym postojem sterowanie pompy włączane jest we wstępnie określonych okresach. W trakcie tego okresu świeci się dioda „Pompa”.

► 5.1.2 Funkcja ochrony zaworów

W okresach bez włączenia sterowania zaworów (na przykład poza okresem grzania) cyklicznie włączane jest sterowanie wszystkich stref grzania z przypisanym termostatem pokojowym, aby zapobiec zakleszczaniu się zaworów.

► 5.1.3 Funkcja ochrony przed mrozem

Niezależnie od trybu pracy urządzenia, każde wyjście sterownika posiada funkcje ochrony przed mrozem. Jeżeli ustawiona temperatura ochrony przed mrozem nie została (5...10°C) osiągnięta, zawory przyporządkowanej strefy grzejnej będą tak długo zasterowane, aż temperatura podniesie się do zadanych wartości. Temperatura ochrony przed mrozem regulowana jest za pośrednictwem karty microSD, z poziomu oprogramowania wariantu Ethernet lub z poziomu serwisowego wyświetlacza urządzenia obsługowego (Parametr 161).

► 5.1.4 Kontrola punktu rosy

Gdy instalacja jest wyposażona w czujnik punktu rosy (dostarczany przez użytkownika na miejscu montażu), to przy stwierdzeniu obroszenia zamykane są zawory wszystkich stref grzania, aby zapobiec uszkodzeniom powodowanym przez wilgoć.

Analiza czujnika punktu rosy przez wejście odbywa się tylko w trybie chłodzenia.

► 5.1.5 Ogranicznik temperatury bezpieczeństwa

W przypadku zastosowania opcjonalnego ogranicznika temperatury bezpieczeństwa, po przekroczeniu temperatury krytycznej zamykane są wszystkie zawory, aby zapobiec uszkodzeniom wrażliwych okładzin podłogowych.

► 5.2 Tryb awaryjny

W trybie awaryjnym wyjścia sterownika stacji bazowej są zasterowywane niezależnie od systemu grzejnego z uwzględnieniem zmodyfikowanego cyklu PWM (parametr 181), aby uniknąć wychłodzenia pomieszczeń (w trybie grzania) lub powstawania skroplin (w trybie chłodzenia).

ENG

DAN

NOR

FIN

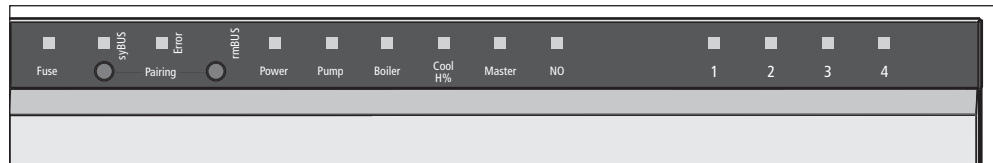
SWE

POL

RUS

6 Usuwanie problemów i czyszczenie


6.1 Wskazania i usuwanie błędów

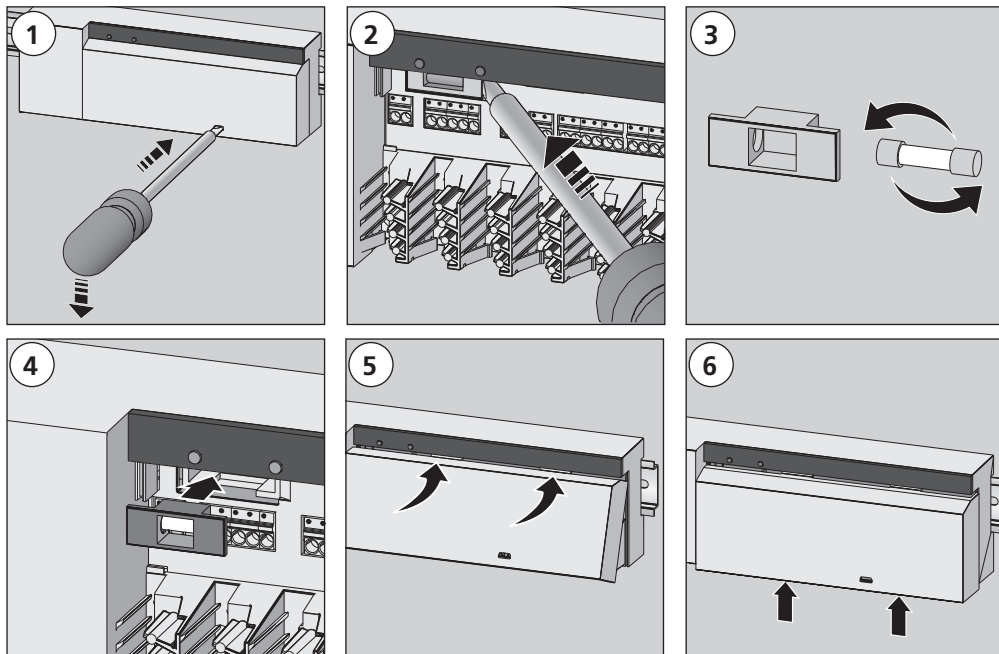


Sygnalizacja diod LED	Znaczenie	Usuwanie
<p>Fuse</p> <p>Czas trwania w sek.</p> <p>Fuse 0 1 2 3 4</p>	Uszkodzony bezpiecznik	➤ Wymienić bezpiecznik (zobacz rozdz. 6.2)
<p>Error / Pump</p> <p>Czas trwania w sek.</p> <p>Pump Error 0 1 2 3 4</p>	Aktywny ogranicznik temperatury, zawory są zamykane	✓ Normalny tryb regulacji aktywowany jest automatycznie po przekroczeniu dolnej granicy temperatury krytycznej
<p>„Cool H%” (tylko tryb chłodzenia)</p> <p>Czas trwania w sek.</p> <p>Cool 0 1 2 3 4</p>	Stwierdzono obroszenie, zawory są zamykane	✓ Normalny tryb regulacji jest aktywowany automatycznie, gdy w urządzeniu nie stwierdza się obroszenia.
<p>Strefa ogrzewania</p> <p>Czas trwania w sek.</p> <p>Strefa ogrzewania wyl. Strefa ogrzewania zal. 0 1 2 3 4</p>	Połączenie radiowe z urządzeniem do obsługi pomieszczenia uległo zakłóceniu	➤ Zmienić pozycję pomieszczeniowego urządzenia obsługowego, względnie zastosować wzmacniacz regeneracyjny lub antenę czynną.
<p>Strefa ogrzewania</p> <p>Czas trwania w sek.</p> <p>Strefa ogrzewania wyl. Strefa ogrzewania zal. 0 1 2 3 4</p>	Słaba bateria w termostacie pokojowym	➤ Wymienić baterie w urządzeniu
<p>Heizzone</p> <p>Czas trwania w sek.</p> <p>Strefa ogrzewania 0 1 2 3 4</p>	Aktywny tryb awaryjny	<ul style="list-style-type: none"> ➤ Wymienić baterie w urządzeniu ➤ Przeprowadzić test radia. ➤ W razie potrzeby ustawić ponownie pozycję termostatu pokojowego. ➤ Uszkodzony termostat pokojowy należy wymienić.

LED wł.
 LED wyl.

▶ 6.2 Wymiana bezpiecznika

- Ostrzeżenie**
-  Ryzyko utraty życia na skutek porażenia prądem
Listwa elektryczna znajduje się pod napięciem.
- Przed otwarciem listwy elektryczną należy zawsze odłączyć od sieci i zabezpieczyć przed nieumyślnym włączeniem.



▶ 6.3 Czyszczenie

Do czyszczenia należy używać wyłącznie suchej, nie nasączonej rozpuszczalnikami, miękkiej szmatki.

ENG

DAN

NOR

FIN

SWE

POL

RUS

7 Wycofanie z użycia

▶ 7.1 Wycofanie z użycia



Ostrzeżenie

Ryzyko utraty życia na skutek porażenia prądem
Listwa elektryczna znajduje się pod napięciem.

- Przed otwarciem zawsze odłączać od sieci i zabezpieczać przed nieumyślnym włączeniem.
 - Odłączyć napięcie z obcych źródeł sąsiadujących z przyłączeniem pomp i kotła i zabezpieczyć je przed ponownym nieumyślnym włączeniem.
-
- Wyciągnąć wtyczkę sieciową i odłączyć całą instalację od napięcia.
 - Odłączyć połączenia kablowe ze wszystkich podłączonych z zewnątrz urządzeń, np. od pompy, kotła i napędów.
 - Zdemontować urządzenie i prawidłowo je zutylizować.

▶ 7.2 Usuwanie



Stacji bazowych nie wolno wyrzucać razem ze śmieciami pochodzącymi z gospodarstwa domowego. Użytkownik ma obowiązek oddać urządzenie do odpowiedniego punktu zwrotu sprzętu elektrycznego. Oddzielne gromadzenie i prawidłowe usuwanie materiałów przyczynia się do utrzymania źródeł zasobów naturalnych i zapewnia ponowne ich wykorzystanie, co pozwala chronić zdrowie ludzi i dbać o środowisko. Informacje dotyczące lokalizacji odpowiednich punktów zwrotu sprzętu elektrycznego uzyskać można w miejscowym urzędzie miejskim lub lokalnych zakładach zajmujących się usuwaniem odpadów.

ENG

DAN

NOR

FIN

SWE

POL

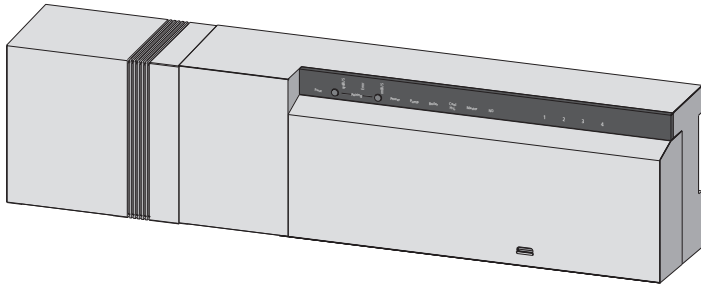
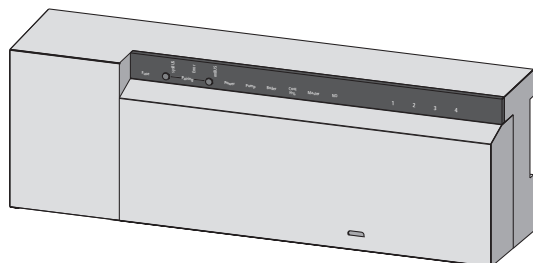
RUS

Made in Germany



Niniejszy podręcznik jest chroniony prawami autorskimi. Wszelkie prawa zastrzeżone. Bez uprzedniej zgody producenta nie wolno go kopiować, powielać, cytować części jego tekstu ani upubliczniać w jakiegokolwiek formie, mechanicznie ani elektronicznie, w całości ani w części. © 2014

BSF 20x12-xx - 230 V
BSF 40x12-xx - 24 V



- ENG
- DAN
- NOR
- FIN
- SWE
- POL
- RUS



1	Безопасность	103
1.1	Используемые символы и обозначения	103
1.2	Предназначение	103
1.3	Общие указания по безопасности	103
1.4	Требования к монтажу	104
1.5	Ограничения по использованию	104
1.6	Соответствие	104
2	Версия	105
2.1	Комплект поставки	105
2.2	Индикация и элементы управления	105
2.3	Подключение	106
2.4	Технические характеристики	107
3	Установка оборудования	108
3.1	Монтаж	108
3.2	Электроподключение	108
3.2.1	Внешний сигнал Charge Over (CO)	109
3.2.3	Насос/котел 24 В	109
3.2.2	Насос/котел 230 В	109
3.2.4	Дополнительный датчик влажности	109
3.2.5	Функция, управляющая переключением опции отопление / охлаждение	110
3.2.6	Внешний таймер	110
3.2.8	Применение ограничителя температуры	111
3.2.9	Подключение сети Ethernet – Варианты	111
4	Пуск	112
4.1	Первый пуск	112
4.2	Попарное соединение (сопряжение)/ рассоединение базовых модулей	112
4.3	Привязка комнатного термостата к зоне отопления (беспроводное сопряжение)	113
4.4	Проверка беспроводного соединения	113
4.5	Конфигурация системы	114
4.5.1	Конфигурация системы с картой памяти MicroSD	114
4.5.2	Конфигурация с беспроводным комнатным термостатом с дисплеем	114
4.6	Возврат к заводским настройкам	116
5	Функции защиты и аварийный режим	117
5.1	Функции защиты	117
5.1.1	Функция защиты насоса	117
5.1.2	Функция защиты вентиля	117
5.1.3	Функция защиты от замерзания	117
5.1.4	Контроль точки росы	117
5.1.5	Предохранительный ограничитель температуры	117
5.2	Аварийный режим	117
6	Устранение неисправностей и чистка	118
6.1	Индикация ошибок и устранение неисправностей	118
6.2	Замена предохранителя	119
6.3	Чистка	119
7	Вывод из эксплуатации	120
7.1	Вывод из эксплуатации	120
7.2	Утилизация	120

ENG

DAN

NOR

FIN

SWE

POL

RUS

1 Безопасность

▶ 1.1 Используемые символы и обозначения

Нижеуказанные символы указывают пользователю, что

- необходимость действия.
- ✓ должно выполняться данное условие.



Предупреждение

Электрическое напряжение! Опасно для жизни!

О риске поражения током предупреждают расположенные рядом символы.

Предупреждающие замечания выделены горизонтальными линиями.

▶ 1.2 Предназначение

Беспроводные клеммные колодки (базовые станции) 24V 230V, тип BSF x0xx2-xx служат

- ✓ для организации единой системы регулирования (дополнительного регулирования) с максимум 12 зонами (в зависимости от используемого типа) для систем отопления и охлаждения,
- ✓ для подключения максимум 18 сервоприводов и 12 комнатных термостатов (в зависимости от используемого типа), насосов, сигнализатора CO, датчика влажности с беспотенциальным контактом, а также внешнего таймера.
- ✓ для стационарных установок.

Любое другое применение трактуется как несовместимое с предназначением, за которое производитель не несет ответственности.

Изменения и модификации категорически запрещены (они могут привести к риску), производитель не несет за них ответственности.

▶ 1.3 Общие указания по безопасности



Предупреждение

Электрическое напряжение! Опасно для жизни!

Клеммная колодка находится под напряжением.

- Перед открытием всегда отключайте от сети и заблокируйте от непреднамеренного включения.
- Отключите напряжение с общих источников электропитания насосов и котла и заблокируйте от непреднамеренного включения.

В экстренных случаях

- В случае аварии необходимо отключить питание клеммной колодки.



В Инструкцию необходимо сохранить и передать ее следующему пользователю данным устройством.

ENG

DAN

NOR

FIN

SWE

POL

RUS

► 1.4 Требования к монтажу

Квалифицированные специалисты

Электромонтажные работы должны проводиться в соответствии с действующими нормами и стандартами, а также нормативными актами местной энергетической компании. Настоящая инструкция требует специального образования, которое должно быть подтверждено государственным дипломом, выданным по окончании учебного заведения, по одной из следующих специальностей:

✓ **Инженер-электрик или специалист по обслуживанию электроустановок** согласно с официально принятым перечнем профессий в Федеративной Республике Германии, а также с законодательством в ЕС.

► 1.5 Ограничения по использованию

Устройство не предназначено для использования лицами (включая детей) с ограниченными физическими, сенсорными или умственными возможностями, не имеющим опыта и/или знаний, если они не находятся под контролем лица, ответственного за их безопасность, или если получают от таких лиц инструкции по пользованию данным устройством.

Дети должны быть под присмотром, чтобы они не играли с устройством.

► 1.6 Соответствие

Данный продукт маркируется знаком CE и тем самым отвечает требованиям директив:

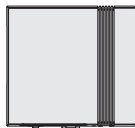
- ✓ 2004/108/WE с изменениями и дополнениями „Директива Совета по координации законодательств стран-членов ЕС в отношении электромагнитной совместимости “
- ✓ 2006/95/WE с изменениями и дополнениями „Директива Совета по координации законодательств стран-членов ЕС в отношении электрооборудования, предназначенного для использования в определенном диапазоне напряжения“
- ✓ „Закон о радиооборудовании и телекоммуникационном терминальном оборудовании (FTEG), а также директива 1999/5/WE (R&TTE)“

На всю систему распространяются требования безопасности, за соблюдением которых отвечает монтажник.

2 Версия

2.1 Комплект поставки

1 x
(только
BSF 40x12-xx)



1 x



1 x*

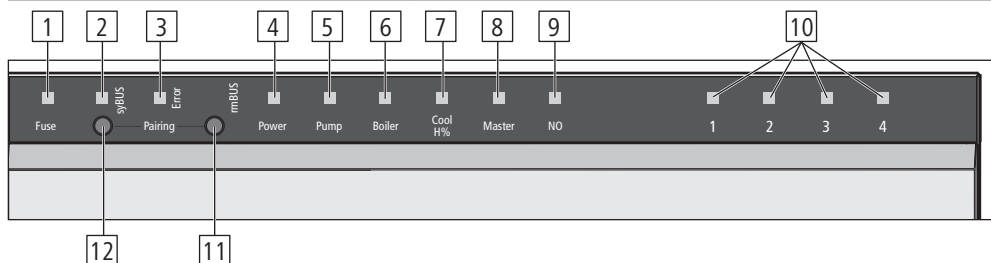


1 x*



* опционально

2.2 Индикация и элементы управления



Но.	Название	Светодиод (LED)	Функция
1	Предохранитель	красный	Светится при неисправности предохранителя
2	syBUS	желтый	Показывает активность syBUS, мигает при доступе в режиме записи к карте microSD
3	Ошибка	красный	Горит: активен предохранительный ограничитель температуры
4	Power	зеленый	Горит: базовый модуль готов к эксплуатации
5	Насос	зеленый	Горит: система управления насосом активна
6	Котла	зеленый	Светится при активном управлении котла, когда реле Boiler (котла) используется для управления насосом.
7	Cool H%	синий	Горит: режим охлаждения активен Мигает: обнаружен конденсат
8	Master	желтый	Горит: базовый модуль сконфигурирован как ведущее устройство Мигает: базовый модуль сконфигурирован как ведомое устройство
9	NO	желтый	Горит: параметры установки выставлены для приводов нормально открытых элементов (в обесточенном состоянии открыты).
10	Зоны отопления 1 - x	зеленый	Показывает соответствующую активность зон отопления и охлаждения
11	Кнопка rmBUS	-	Кнопка для обслуживания функции rmBUS
12	Кнопка syBUS	-	Кнопка для обслуживания функции syBUS

ENG

DAN

NOR

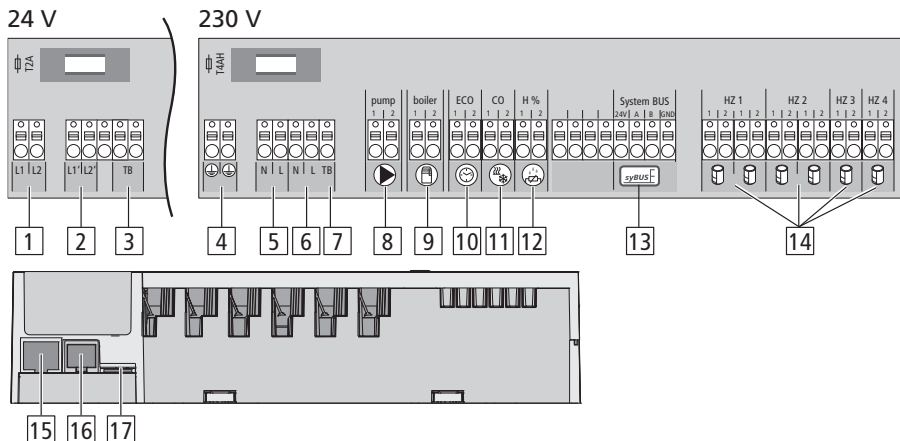
FIN

SWE

POL

RUS

2.3 Подключение



Но.	Подключение	Функция
1	Силовой трансформатор	Только версия 24 V: подключение системного трансформатора
2	Выход 24 V	Только версия 24 V: выход питания, например, для ограничителя температуры (поставляется заказчиком)
3/7	Ограничитель температуры	Подключение поставляемого заказчиком ограничителя температуры, служащего для защиты чувствительных напольных покрытий (опционально)
4	Защитный провод 1 и 2	Только версия 230 V: подключение защитного провода
5	Подключение сети питания N/L	Только версия 230 V: разъем сетевого питания
6	Выход 230 V	Только версия 230 V: дополнительные резервные контакты для запитывания насоса.
8	Насос	Разъем управления насосом
9	Котел	Разъем для передачи управляющих воздействий на котел или вывод для функции CO-Pilot
10	ECO	Вход беспотенциальный для подключения внешнего таймера
11	Change over	Вход беспотенциальный (в соотв. с SELV) внешнего сигнала CO
12	Датчик точки росы	Вход беспотенциальный (в соотв. с SELV) датчика точки росы
13	syBUS	Соединяет несколько базовых модулей для обмена глобальными системными параметрами
14	Позиционные приводы	Подключение от 6 до 18 исполнительных элементов (сервоприводов)
15	Разъем RJ45 (опция)	Разъем сети Ethernet, служащий для подключения клеммной колодки в домашнюю сеть
16	Разъем RJ12	Разъем для активной антенны
17	Гнездо для карты microSD	Позволяет загружать обновление программного обеспечения Firmware и индивидуальных настроек системы.

2.4 Технические характеристики

	BSF 20102-04	BSF 20202-04	BSF 20102-08	BSF 20202-08	BSF 20102-12	BSF 20202-12	BSF 40112-04	BSF 40112-08	BSF 40212-08	BSF 40112-12	BSF 40212-12	BSF 40112-12	BSF 40212-12
Ethernet	-	x	-	x	-	x	-	-	x	-	x	-	x
Кол-во зон отопления	4	8	8	8	12	12	4	4	8	12	12	12	12
Кол-во сервоприводов	2x2 + 2x1	4x2 + 4x1	4x2 + 4x1	6x2 + 6x1	6x2 + 6x1	6x2 + 6x1	2x2 + 2x1	2x2 + 2x1	4x2 + 4x1	4x2 + 4x1	6x2 + 6x1	6x2 + 6x1	6x2 + 6x1
Макс. номин. нагрузка всех сервоприводов	24 Вт												
Макс. ток коммутации каждой зоны отопления	max. 1 А												
Рабочее напряжение	230 V / ±15% / 50 Гц												
Подключение сети питания	Клеммы разъема NУМ 3 x 1,5 мм ²												
Потребляемая мощность (без насоса)	50 Вт												
Потребляемая мощность в режиме холостого хода с трансформатором	1.5 Вт / -	2.4 Вт / -	1.5 Вт / -	2.4 Вт / -	1.5 Вт / -	2.4 Вт / -	0.3 Вт / 0.6 Вт	0.3 Вт / 0.6 Вт	1.1 Вт / 1.4 Вт	0.3 Вт / 0.6 Вт	1.1 Вт / 1.4 Вт	0.3 Вт / 0.6 Вт	1.1 Вт / 1.4 Вт
Класс защиты	II												
Степень защиты / категория перенапряжения	IP20 / III												
Предохранитель	5 x 20 мм, Т4АН												
Температура окружающей среды	0 °С – 60 °С												
Температура хранения	-25 °С до +70 °С												
Влажность воздуха	5 до 80%, без конденсации												
Габариты	225 x 52 x 75 мм	290 x 52 x 75 мм	290 x 52 x 75 мм	355x 52 x 75 мм	305 x 52 x 75 мм	305 x 52 x 75 мм	370 x 52 x 75 мм	370 x 52 x 75 мм	435 x 52 x 75 мм	435 x 52 x 75 мм	435 x 52 x 75 мм	435 x 52 x 75 мм	435 x 52 x 75 мм
Материал	РС+ABS												
Точность регулирования температуры	±1 К												
Гистерезис	±0.2 К												
Модуляция	FSK												
Несущая частота	868 МГц, двунаправленная передача данных												
Дальность	25 м в зданиях / 250 м в свободном пространстве												
Мощность передачи	макс. 10 мВт												

ENG

DAN

NOR

FIN

SWE

POL

RUS

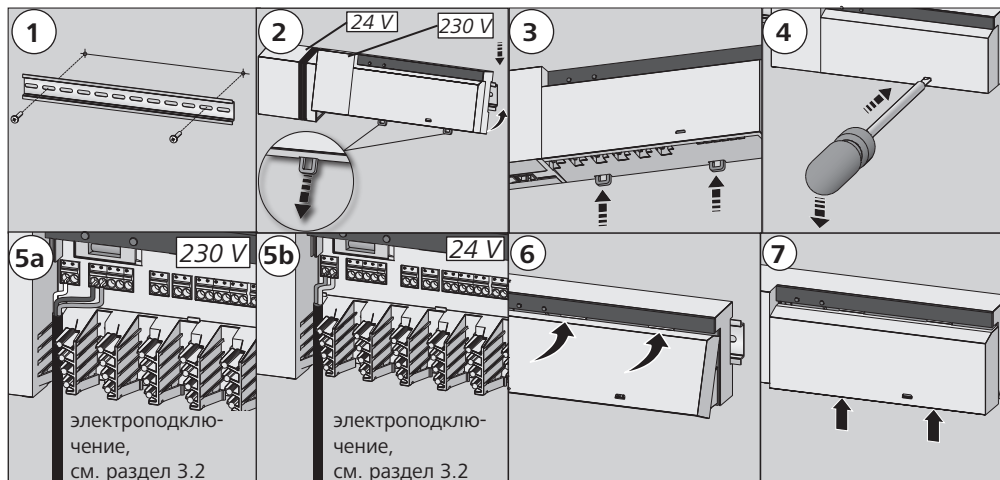
3 Установка оборудования

3.1 Монтаж

Предупреждение

Угроза жизни в случае поражения током!

Все монтажные работы должны проводиться при отключенном напряжении.



ENG

DAN

NOR

FIN

SWE

POL

RUS

3.2 Электроподключение

Предупреждение

Электрическое напряжение! Опасно для жизни!

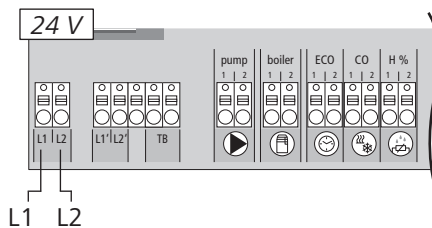
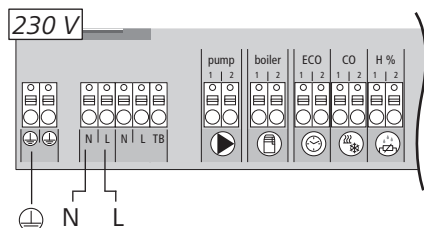
Все монтажные работы должны проводиться при отключенном напряжении.

Подключение системы регулирования зависит от ряда факторов и должно быть тщательно спланировано и реализовано монтажником.

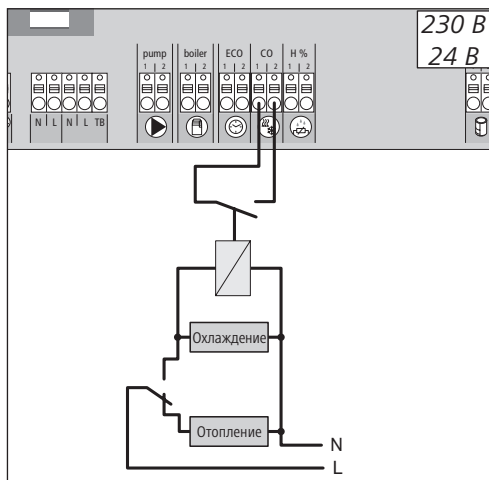
Для пружинно-штекерных разъемов применять провода со следующими сечениями:

- ✓ одножильный провод: 0,5 – 1,5 мм²
- ✓ гибкий провод: 1,0 – 1,5 мм²
- ✓ Снять изоляцию с концов проводов на длину 8 - 9 мм
- ✓ Провода могут использоваться с наконечниками, обжатыми на заводе

Примечание: в варианте 230 В подача электроэнергии может осуществляться через одну из двух контактных пар – N или L.

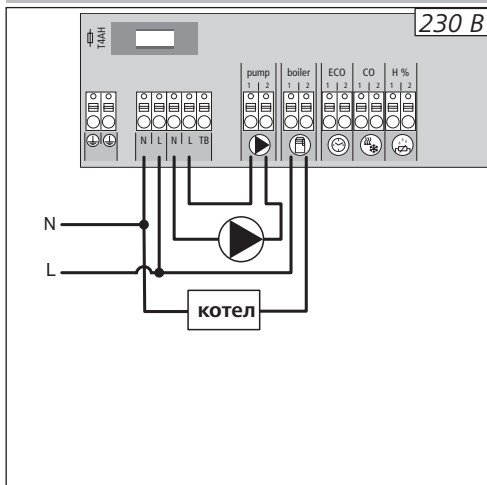


3.2.1 Внешний сигнал Charge Over (CO)



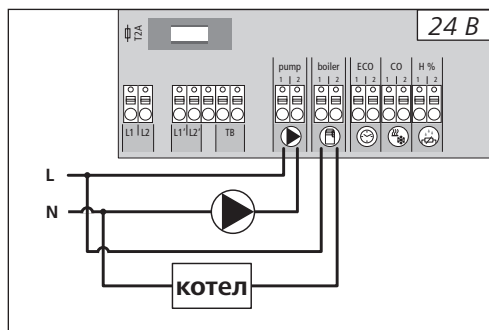
Если используется внешний переключающий сигнал Charge Over (CO), то вся система переключается между режимами отопления/охлаждения согласно сигналу.

3.2.2 Насос/котел 230 В



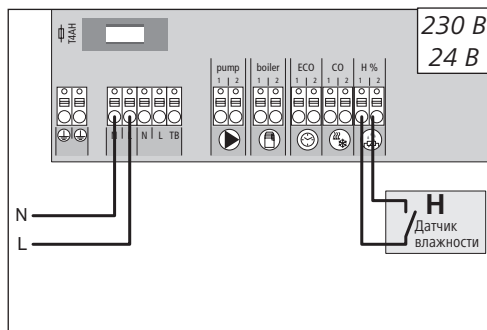
Подключение через разъем Boiler (котел) позволяет управлять генератором тепла. Кроме того возможно непосредственное подключение питания и управление насосом.

3.2.3 Насос/котел 24 В



Подключение через разъем Boiler (котел) позволяет управлять генератором тепла. Кроме того возможно управление насосом.

3.2.4 Дополнительный датчик влажности



Датчики влажности (предоставляется заказчиком) служат для защиты от образования росы в режиме охлаждения.

ENG

DAN

NOR

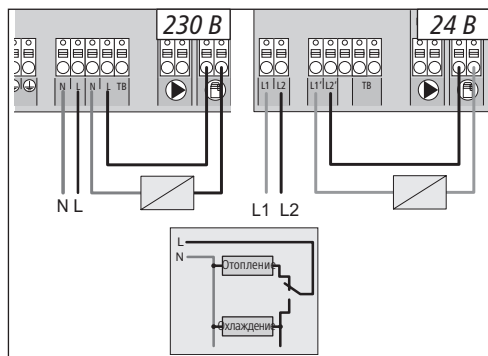
FIN

SWE

POL

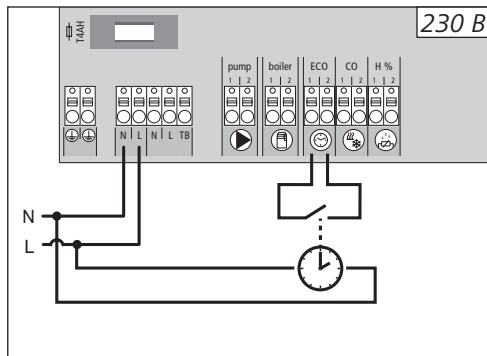
RUS

3.2.5 Функция, управляющая переключением опции отопление / охлаждение



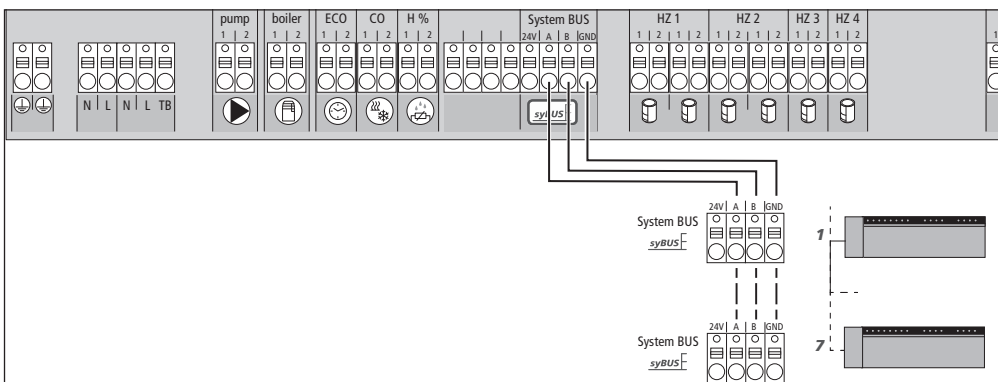
При отсутствии доступного внешнего сигнала Change Over (CO) можно воспользоваться внутренней функцией переключения клеммной колодки, служащей для переключения всей системы между режимами отопления и охлаждения. В этом случае переключение выполняется через реле, используемое клеммной колодкой.

3.2.6 Внешний таймер



Клеммная колодка имеет вход ECO, служащий для подключения внешнего таймера в случаях, когда не будут использоваться внутренние часы на дисплее беспроводного термостата. Если вход активируется по таймеру, зоны отопления переключаются на ночной режим.

3.2.7 Системная шина

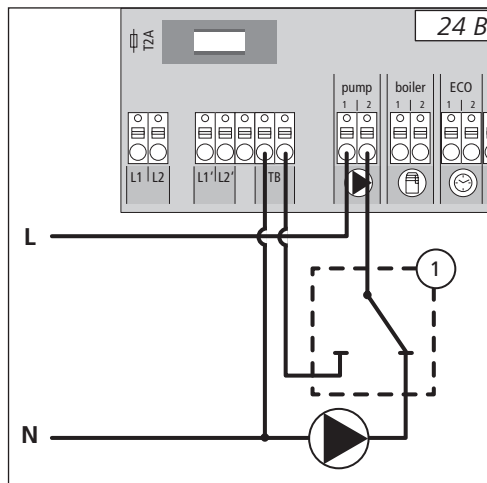
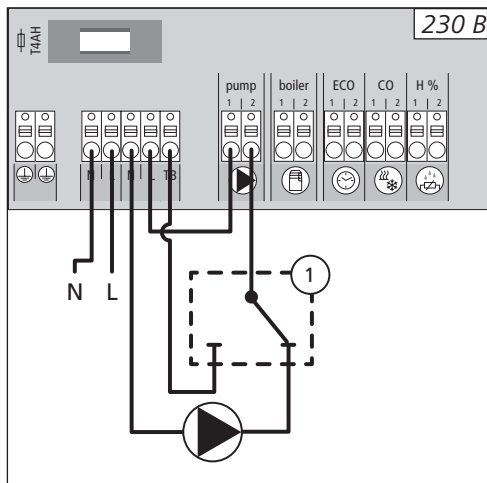


Для обмена глобальными системными параметрами через системную шину (syBUS) можно соединить друг с другом макс. семь базовых модулей. После электромонтажа базовые модули следует соединить попарно - см. главу 4.2. При диаметре провода <6 мм заказчик должен предусмотреть зажим для разгрузки провода от натяжения.

Примечание! Базовые модули можно соединить друг с другом по радио, см. главу 4.2. Возможно смешивание обоих вариантов.

ENG
DAN
NOR
FIN
SWE
POL
RUS

3.2.8 Применение ограничителя температуры



Подключение ограничителя температуры, предоставляемого заказчиком по месту монтажа (1).

Он отключает насос и включает вход ограничителя температуры, если будет обнаружено превышение температуры теплоносителя для панельного отопления. После включения ограничителя температуры, клеммная колодка автоматически закрывает все сервоприводы.

3.2.9 Подключение сети Ethernet – Варианты

Клеммные колодки BSF xx2xx-xx имеют разъем RJ45 (интерфейс), а также интегрированный веб-сервер для управления и конфигурирования системой с помощью компьютера/ноутбука и через Интернет.

- Клеммную колодку можно подключить к домашней сети или непосредственно к компьютеру/ноутбуку при помощи сетевого кабеля.

Подключение к домашней сети:

- Открыть меню роутера (маршрутизатора) (см. инструкцию соответствующего устройства), вводя адрес в адресную строку веб-браузера (интернет - просмотрщика) (Internet Explorer, Firefox, ...).
- Открыть список всех устройств, находящихся в сети.
- Сравнить адрес MAC (см. тип знака), чтобы найти IP – адрес, приписанный к клеммной колодке
- Записать IP – адрес клеммной колодки, а затем ввести его в адресной строке интернет – просмотрщика, чтобы открыть веб-интерфейс.

Подключение непосредственно к компьютеру/ноутбуку:

- Открыть в компьютере или ноутбуке окно настройки сети и вручную ввести IP-адрес 192.168.100.1 и маску подсети 255.255.0.0.
- Ввод IP-адреса 192.168.100.100 в адресную строку браузера обеспечивает доступ к веб-интерфейсу.

Подробную информацию о конфигурации и доступ через Интернет можно получить на сайте www.ezr-home.de.

ENG

DAN

NOR

FIN

SWE

POL

RUS

4 Пуск

▶ 4.1 Первый пуск

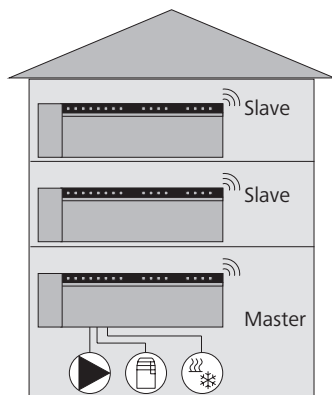
В первые 30 минут после включения напряжения сети базовый модуль находится в режиме установки. В этом режиме производится только сравнение номинальной и фактической температуры, все другие функции деактивированы. Если фактическая температура ниже номинального значения, управляющие воздействия передаются на назначенный соответствующей комнатной панели управления вывод базового модуля. Сигнализация на базовом модуле производится без задержки, что позволяет контролировать привязку между комнатной панелью управления и выводом базового модуля.

- Включить сетевое питание.
- ✓ В течение 30 минут базовый модуль производит инициализацию режима установки.
- ✓ Когда параметры базового модуля для NC-элементов (нормально закрытых) приводов установлены, в течение 10 минут производится передача управляющих воздействий на зоны нагрева, чтобы деблокировать функцию First-Open NC-элементов приводов.
- ✓ Светодиод «Power» (индикация рабочего состояния) горит постоянным светом.

▶ 4.2 Попарное соединение (сопряжение)/ рассоединение базовых модулей

При использовании нескольких базовых модулей в одной отопительной системе для обмена глобальными системными параметрами по радио или посредством системной шины (syBUS) можно попарно соединить до семи устройств (сопряжение). При соединении по радио следует учитывать радиус действия базового модуля. Если радиуса действия недостаточно, соединение выполняется при помощи syBUS. Коммуникация осуществляется по принципу Master-/Slave (ведущее устройство/ведомое устройство). Между модулями происходит обмен требованиями и сообщениями состояния. Центральное устройство Master напрямую управляет функциями и компонентами:

- Вход/выход CO (если внешний переключающий сигнал CO - активный)
- Выход Boiler (котел)
- Выход Pump (насос)



Примечание: базовый модуль, к которому подключены компоненты, должен быть сконфигурирован как ведущее устройство (Master). Другие базовые модули можно попарно соединить только с ведущим базовым модулем.

Сопряжение базовых модулей осуществляется следующим образом:

- На 3 сек. нажать кнопку syBUS базового модуля, который нужно настроить как ведущее устройство, чтобы запустить режим сопряжения.
- ✓ Мигает светодиод (LED) „syBUS“.
- ✓ Режим беспроводного сопряжения в течение 3 минут готов к приему сигнала сопряжения от другой клеммной колодки.
- На 1 сек. нажать кнопку syBUS базового модуля, который нужно настроить как ведомое устройство, чтобы соединить его с ведущим устройством.
- ✓ Выход из режима сопряжения производится автоматически, сразу после завершения процедуры.
- ✓ Светодиод «Master» горит на ведущем базовом модуле постоянным светом.
- ✓ Светодиод «Master» мигает, если базовый модуль был настроен как ведомое устройство.
- Для сопряжения другого базового модуля повторить процедуру.

▶ 4.2 Попарное соединение (сопряжение)/ рассоединение базовых модулей (продолжение)

Рассоединение сопряженных базовых модулей производится следующим образом:

- На 3 сек. нажать кнопку syBUS базового модуля, для которого нужно отменить сопряжение, чтобы запустить режим сопряжения.
- ✓ Светодиод «syBUS» мигает.
- Еще раз нажать и около 10 сек. удерживать нажатой кнопку syBUS.
- ✓ Базовый модуль перезапускается и светодиод «Master» гаснет.

▶ 4.3 Привязка комнатного термостата к зоне отопления (беспроводное сопряжение)

- В течение 3 сек. нажимать кнопку rmBUS, чтобы запустить режим сопряжения.
- ✓ Мигает светодиод (LED) „Зона отопления 1“.
- Путем повторного краткого нажатия выбрать желаемую зону нагрева.
- ✓ Выбранная зона отопления через 3 минуты будет готова к приему сигнала сопряжения от беспроводного комнатного термостата.
- Активировать функцию сопряжения на комнатном термостате (см. инструкцию комнатного термостата).
- ✓ Выход из режима беспроводного сопряжения наступит сразу, как только успешно закончится привязка комнатного термостата к зоне отопления.
- ✓ Светодиод выбранной ранее зоны нагрева горит в течение 1 минуты.
- Повторить операцию, чтобы привязать очередные комнатные термостаты.

Примечание Комнатный термостат может быть привязан к нескольким зонам отопления. Привязка нескольких комнатных термостатов к одной зоне невозможна.

▶ 4.4 Проверка беспроводного соединения

Радио-тест позволяет протестировать соединение между базовым модулем и комнатной панелью управления. Тестирование соединения выполняется с запланированного места монтажа комнатной панели управления.

- ✓ Клеммная колодка не должна быть в режиме беспроводного сопряжения.
- Запустить радио-тест на комнатной панели управления (см. руководство к комнатной панели управления).
- ✓ На клеммной колодке, соединенной с термостатом, зона отопления будет включена или выключена на 1 минуту в зависимости от текущего режима работы.
- ✓ Если передача управляющих воздействий отсутствует, это говорит о неблагоприятных условиях приема. Прделайте следующее:
 - Учитывая условия монтажа комнатного термостата необходимо изменить месторасположение термостата для получения хорошего сигнала приема или
 - Использовать дополнительные аксессуары „активную антенну “ или „ретранслятор“ для усиления радиосигнала. Информацию по установке можно найти в соответствующе инструкции.

ENG

DAN

NOR

FIN

SWE

POL

RUS

► 4.5 Конфигурация системы

Конфигурация базового модуля осуществляется на выбор посредством карты microSD, программной оболочки Ethernet-варианта или сервисного уровня комнатной панели управления Funk Display.

► 4.5.1 Конфигурация системы с картой памяти microSD

EZR Manager SD Card на www.ezr-home.de позволяет выполнить индивидуальные настройки и при помощи карты microSD перенести их в базовый модуль. Начиная с версии программного обеспечения 01.70, базовый модуль распознает карты microSD объемом памяти >2 Гб с форматами FAT16 или FAT32.

- Открыть сайт www.ezr-home.de в веб-браузере своего компьютера и следовать инструкции в режиме on-line.
- Вставить карту microSD с обновленными данными в базовый модуль.
- ✓ Процесс передачи данных начнется автоматически, обновленные данные будут скопированы в базовый модуль.
- ✓ В процессе передачи данных светодиод «syBUS» мигает.
- ✓ После завершения процесса передачи данных светодиод «syBUS» гаснет.

► 4.5.2 Конфигурация с беспроводным комнатным термостатом с дисплеем

Сервисное обслуживание через дисплей комнатного беспроводного термостата защищено PIN-кодом и может выполняться только квалифицированным специалистом.

Внимание! Неправильная настройка приводит к ошибкам и повреждению оборудования.

- Нажать поворотный регулятор.
- Выбрать меню „Сервис“ и активировать нажатием поворотного регулятора.
- Ввести четырехзначный PIN-код (по умолчанию: 1234) путем поворота и нажатия поворотного регулятора.
- Выбрать параметр (PAr) снова нажав поворотный регулятор и ввести код номера нужного параметра (см. ниже таблицу).
- Изменить параметр, если нужно, и подтвердить нажатием поворотного регулятора.

Но.	Параметры	Описание	Ед. изм.
010	Используемая система отопления	Можно устанавливать в каждой зоне отопления: панельное отопление (FBH) стандартное / FBH низкотемпературный источник тепла/ радиатор / пассивный конвектор / активный конвектор	FBH St.=0 FBH NE=1 RAD=2 KON pas.=3 KON act.=4
020	Блокировка отопления/охлаждения	Блокировка переключения выходов в зависимости от активированного режима работы (отопление/охлаждение)	нормальный=0 Отопление блокировка=1 Охлаждение блокировка=2
030	Блокировка работы (защита от детей)	Разблокировка (снятие изображения) защищена паролем.	Деактивировано=0 Активировано=1
031	Пароль блокировки	Установить PIN-код, если параметр 30 активирован	0000..9999

► 4.5.2 Конфигурация с беспроводным комнатным термостатом с дисплеем (продолжение)

Но.	Параметры	Описание	Ед. изм.
040	Внешний датчик, подключенный к термостату с дисплеем (RBG)	Применение дополнительного датчика для измерения температуры пола (FBH), комнатной температуры или температуры точки росы	Нет датчика=0 Датчик темп. росы=1 Темп. пола FBH=2 Темп. комнатная =3
060	Корректировка настройки температуры	Регистрация фактической температуры с поправочным коэффициентом	-2,0...+2,0 К с шагом 0,1
110	Способ действия выхода сервоприводов	Переключение работы сервоприводов NC и NO (только глобально)	NC=0 / NO=1
115	Выбор управления понижением температуры	Выбор между управлением понижением температуры за счет входа ECO или через функцию Отпуск термостата RGB. Если этот параметр установлен на 1, с комнатной панели управления активировать функцию «Отпуск» больше невозможно.	ECO=0 Отпуск=1
120	Выбор единицы измерения температуры	Изменение показаний по Цельсию или Фаренгейту	°C=0 °F=1
Конфигурация насоса			
130	Выход насоса	Использование управления локальным насосом (для части контуров) или глобальным (для всей системы)	локально=0 глобально=1
131	Вид насоса	Выбор используемого насоса: обычный насос (КР) / высокоэффективный насос (НР).	стандартный=0 энергоберегающий=1
132	Время до запуска насоса	Время до запуска насоса после приема сигнала подключения, по крайней мере, 1 сервопривода (касается стандартного насоса)	[мин]
133	Время до выключения насоса	Время до выключения насоса после приема сигнала закрытия всех сервоприводов (касается стандартного насоса)	[мин]
134	Способ действия реле насоса	При использовании реле насоса как управляющего выхода, можно изменить способ действия	нормальный=0 инвертированный=1
135	Минимальное время работы	Минимальная продолжительность работы – время, в течение которого высокоэффективный насос должен работать до следующего выключения	[мин]
136	Минимальное время простоя	Высокоэффективный насос: насос будет отключен только, когда может быть гарантировано минимальное время простоя.	[мин]
Конфигурация функции Change Over / реле котла			
140	Функция реле котла / выход CO	Выбор заключается в том, будет ли релейный выход служить для управления реле котла или в качестве управление CO	Котел=0 Управление CO=1
141	Время до запуска	Время до запуска котла после приема сигнала подключения, по крайней мере, 1 сервопривода (касается стандартного насоса)	[мин]
142	Время до выключения	Время до выключения котла после получения сигнала закрытия всех сервоприводов (касается стандартного насоса)	[мин]
143	Способ действия реле	При использовании в качестве управляющего выхода возможно изменение направления функции реле.	нормальный=0 инвертированный=1
150	Функция управления Change Over	Переключение отопления-охлаждения между ручным или автоматическим режимом управления CO	Режим ручной=0 Режим автоматический=1
160	Функция защиты от замерзания	Активация управления переключающих выходов при $T_{тек} < x$ °C	Деактивировано=0 Активировано=1

ENG

DAN

NOR

FIN

SWE

POL

RUS

► 4.5.2 Конфигурация с беспроводным комнатным термостатом с дисплеем (продолжение)

Но.	Параметры	Описание	Ед. изм.
161	Температура защиты от замерзания	Граничное значение для запуска функции защиты от замерзания	[°C]
170	Smart Start	Программирование температурной характеристики отдельных зон отопления	Деактивировано=0 Активировано=1
Аварийный режим			
180	Время до активации	Время до активации процедуры аварийного режима	[мин]
181	Длительность цикла PWM (ШИМ) в аварийном режиме	Длительность цикла PWM (ШИМ - широтно-импульсной модуляции) в аварийном режиме	[мин]
182	Длительность цикла PWM (ШИМ) отопления	Время включения управления в режиме отопления	[%]
183	Длительность цикла PWM (ШИМ) охлаждения	Время включения управления в режиме охлаждения	[%]
Функция защиты вентилей			
190	Время до активации	Время запуска после последней активации	[д]
191	Время включения управления вентилей	Время включения управления вентилей (0= функция деактивирована)	[мин]
Функция защиты насоса			
200	Время до активации	Время запуска после последней активации	[д]
201	Время включения управления	Время включения управления (0= функция деактивирована)	[мин]
210	Функция First Open (FO)	Активация всех переключающих выходов при включении электропитания	[мин] Выкл.=0
220	Автоматический переход на летнее/зимнее время	Если функция активирована, перевод времени наступает автоматически в соотв. указаний CET	Деактивировано=0 Активировано=1
230	Настройка понижения температуры	При активировании понижения температуры через внешний вход	[K]

► 4.6 Возврат к заводским настройкам

Внимание! Все пользовательские настройки будут аннулированы.

- Если вставлена, извлечь карту microSD базового модуля и удалить файл параметров „params_usr.bin“ с ПК.
- Придерживать нажатую кнопку rmBUS клеммной колодки в течение 3 сек., чтобы запустить режим беспроводного сопряжения.
- ✓ Мигает светодиод (LED) „Зона отопления 1“.
- Нажать снова кнопку rmBUS и придерживать нажатую кнопку в течение 10 секунд.
- ✓ Все светодиоды зон отопления мигают одновременно, после очередных 5 секунд нажимания на кнопку, они начинают мигать попеременно и затем гаснут.
- ✓ Клеммная колодка сбрасывается на заводские настройки и ведет себя, как это было во время первого ввода в эксплуатацию (см. раздел Первый пуск, стр. 8).

Примечание: назначенные ранее комнатные панели управления следует заново соединить попарно, см. главу 4.3.

5 Функции защиты и аварийный режим

► 5.1 Функции защиты

Клеммная колодка имеет ряд защитных функций, позволяющих избежать повреждения всей системы.

► 5.1.1 Функция защиты насоса

Во избежание повреждений, вызванных длительным простоем, насос включается в течение заранее установленных периодов. В течение этого времени светится светодиод „Pump“ (насос).

► 5.1.2 Функция защиты вентиля

Во время, когда не включено управление вентилями (например, вне периода отопления), циклически активируется управление всеми зонами отопления с приписанным комнатным термостатом, чтобы избежать заклинивания вентиля.

► 5.1.3 Функция защиты от замерзания

Независимо от режима работы, для каждого коммутационного выхода предусмотрена функция защиты от замерзания.

При падении температуры ниже предварительно установленной температуры незамерзания (5...10 °C) на вентили назначенных зон нагрева начинают передаваться управляющие воздействия, что продолжается до достижения температуры незамерзания. Температура незамерзания устанавливается с карты microSD, программной оболочки Ethernet-варианта или [1]сервисного уровня [2] RBG Display (параметр 161).

► 5.1.4 Контроль точки росы

Если система оснащена датчиком точки росы (предоставляется заказчиком), то при обнаружении конденсата вентили всех зон отопления закрываются, чтобы избежать повреждений из-за влажности. Анализ датчика точки росы на входе выполняется только в режиме охлаждения

► 5.1.5 Предохранительный ограничитель температуры

В случае использования дополнительного предохранительного ограничителя температуры, все вентили закрываются при превышении критической температуры, чтобы избежать повреждения чувствительных напольных покрытий.

► 5.2 Аварийный режим

Если клеммная колодка за определенное время не может восстановить связь с приписанным к зоне отопления термостатом RBG, то автоматически включается аварийный режим. Чтобы избежать вымерзания помещений (в режиме отопления) или конденсата (в режиме охлаждения), в аварийном режиме передача управляющих воздействий на коммутационные выходы базового модуля производится независимо от системы отопления с модифицированной продолжительностью цикла PWM (параметр 181).

ENG

DAN

NOR

FIN

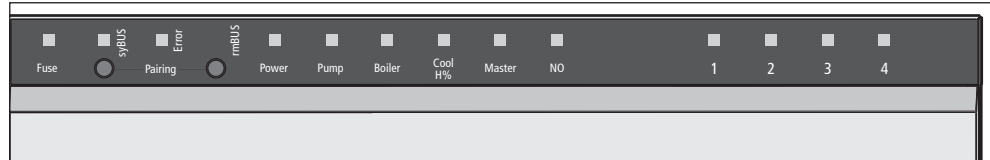
SWE

POL

RUS

6 Устранение неисправностей и чистка

6.1 Индикация ошибок и устранение неисправностей



Индикация светодиодов	Значение	Устранение
Fuse (предохранитель) Продолжительность в секундах Fuse 0 1 2 3 4	Неисправный предохранитель	➤ Заменить предохранитель (см. раздел 6.2)
Error / Pump Продолжительность в секундах Pump Error 0 1 2 3 4	Активный ограничитель температуры, вентили закрываются	✓ Нормальный режим регулирования автоматически активируется после перехода нижней границы критической температуры
„Cool H%“ (только режим охлаждения) Продолжительность в секундах Cool 0 1 2 3 4	Обнаружен конденсат, вентили закрываются	✓ Нормальный режим регулирования активируется автоматически, если больше нет конденсации.
Heating zone (зоны отопления) Продолжительность в секундах Zo off Zo on 0 1 2 3 4	Сбой радиосоединения с комнатной панелью управления	➤ Изменить местоположение термостата, использовать усилитель или активную антенну.
Heating zone (зоны отопления) Продолжительность в секундах Zo off Zo on 0 1 2 3 4	Слабая батарейка в комнатном термостате	➤ Заменить батарейку в устройстве
Heating zone (зоны отопления) Продолжительность в секундах HZ 0 1 2 3 4	Активный аварийный режим	➤ Заменить батарейку в устройстве ➤ Выполнить тестирование радиопередачи. ➤ Поменять позицию комнатного термостата (при необходимости). ➤ Неисправный комнатный термостат необходимо заменить.

светодиод на
 светодиод выключен

▶ 6.2 Замена предохранителя

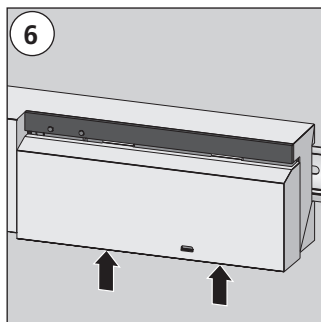
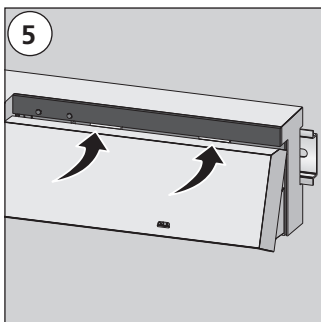
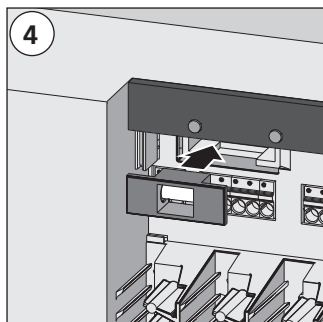
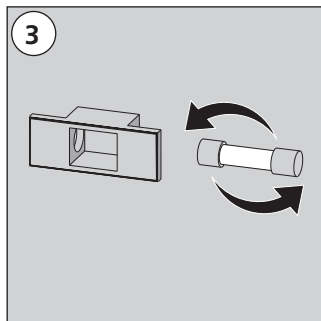
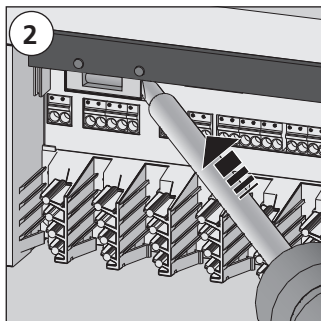
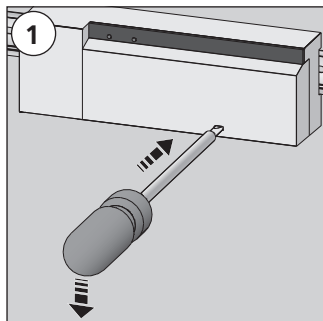


Предупреждение

Электрическое напряжение! Опасно для жизни!

Клеммная колодка находится под напряжением.

- Перед открытием всегда отключайте от сети и заблокируйте от непреднамеренного включения.



▶ 6.3 Чистка

Для чистки необходимо использовать только сухую мягкую ткань – не смачивать в растворителе.

ENG

DAN

NOR

FIN

SWE

POL

RUS

7 Вывод из эксплуатации

7.1 Вывод из эксплуатации



Предупреждение

Электрическое напряжение! Опасно для жизни!

Клеммная колодка находится под напряжением.

- Перед открытием всегда отключайте от сети и заблокируйте от непреднамеренного включения.
 - Отключите напряжение с общих источников электропитания насосов и котла и заблокируйте от непреднамеренного включения.
-
- Вынуть вилку из розетки и отсоединить все оборудование от напряжения.
 - Отсоединить кабели от всех подключенных снаружи устройств, например, от насоса, котла и сервоприводов.
 - Демонтировать устройство и правильно утилизировать.

7.2 Утилизация



Клеммные колодки (базовые станции) запрещено утилизировать вместе с бытовыми отходами. Пользователь обязан передать устройство в соответствующий пункт сбора электрооборудования. Раздельный сбор и правильная утилизация использованных материалов способствует сохранению природных ресурсов и позволит обеспечить их переработку таким образом, чтобы защитить здоровье человека и окружающую среду. Информацию о местоположении соответствующих пунктов сбора электрооборудования можно получить в местном муниципалитете или в службах, занимающихся утилизацией отходов.

ENG

DAN

NOR

FIN

SWE

POL

RUS

Made in Germany



Настоящее руководство защищено авторскими правами. Все права защищены. Без предварительного согласия производителя запрещается копировать, размножать, воспроизводить или публиковать в любой форме, механической или электронной, полностью или частично. © 2014